

Artwork sizes **Creating Artwork**

Please supply-

- **A single page Quark document at 1/4 size, supplied complete with all 3rd party extensions and images. We will split the job into individual panels prior to printing**
- **IMPORTANT - Please send a colour printed visual for reference and any colour reference that you may require. We will match colours as close as the printing method allows.**

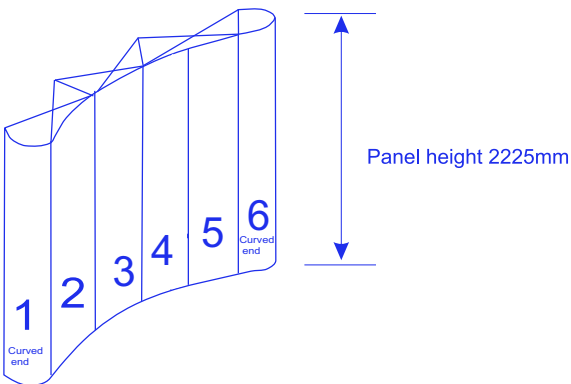
Design Hints:

-Remember that end panels form a semi-circle to the back of the stand. It's worth bearing this in mind when using text.

-Where possible, avoid a single letter splitting over a panel join.

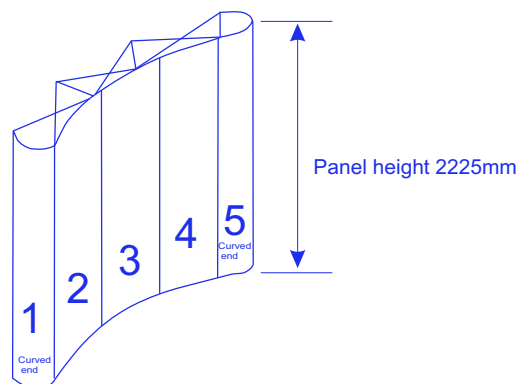
1. All scans should be placed in the 1/4 size document at around 300dpi at 100% and supplied as CMYK tiffs.
2. Logos - for best results these should be supplied as vectorised images & saved as EPS files. Bitmaps (tiff, jpg) will deteriorate the larger they get.
3. Fonts - Unless you are supplying fonts (screen and printer version) please convert text to outline.
4. Proofs and colour matching - it is not always possible to match pantone colours using CMYK printers. If no colour reference is provided we have no idea what your colours should look like and can only print direct from disk. If colour is critical you must provide a print out or colour reference for us to closest match to.
5. Formats - CD-ROM, Zip (100mb) Jaz (2gb) ISDN
6. All prices are for printing your graphics direct from a ready to print disk. Additional MAC time is charged at £45 / hour.
7. Software packages, Quark express 4.1, Adobe photoshop 7, Adobe illustrator 10, Freehand 9, Page maker 6.5.

3 x 4 Curved pop-up stand



OVERALL GRAPHIC SIZE - 4038mm x 2225mm
 (4 centre graphic panels 673mm wide x 2225mm
 2 curved end panels high 673mm wide x 2225mm)

3 x 3 Curved pop-up stand



OVERALL GRAPHIC SIZE - 3365mm x 2225mm
 (3 centre graphic panels 673mm wide x 2225mm
 2 curved end panels high 673mm wide x 2225mm)

