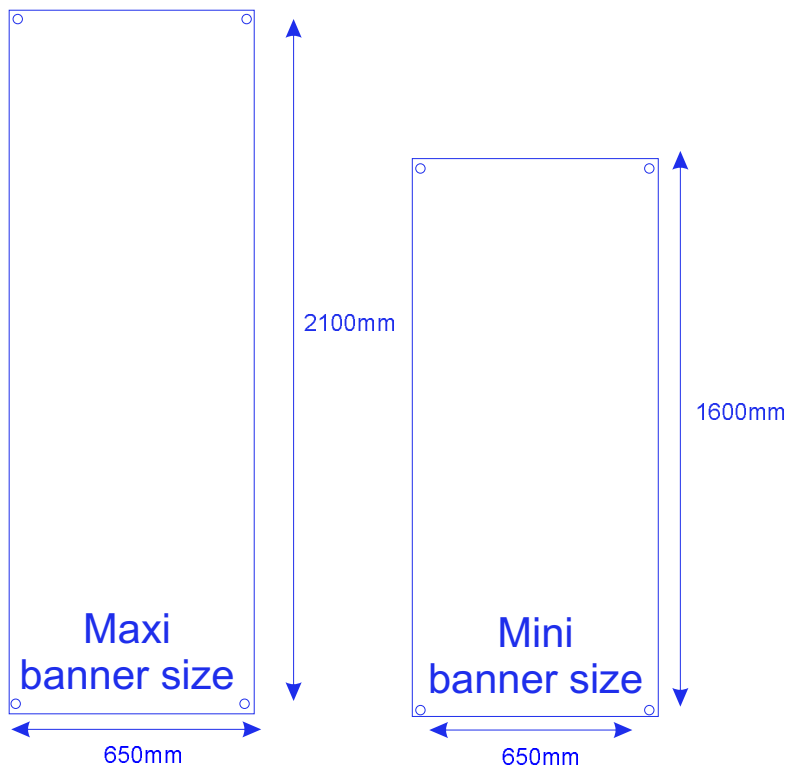


Artwork sizes

Creating Artwork



graphic size

Please supply-

- A mac formatted Quark express file at ½ size, supplied complete with all 3rd party extensions and images.
- A colour printed visual for reference
- Any colour reference that you may require us to match to.

1. All scans should be placed in the 1/2 size document at around 300dpi at 100%. (approx 30mb/square m) Supplied as CMYK tiffs.

2. Logos - for best results these should be supplied as vectorised images saved as EPS files. Bitmaps (tiff, jpg) will deteriorate the larger it gets.

3. Fonts - Unless you are supplying fonts (screen and printer version) please convert text to outline.

4. Proofs and colour matching - it is not always possible to match pantone colours using CMYK printers. If no colour reference is provided we have no idea what your colours should look like and can only print direct from disk. If colour is critical you must provide a print out or pantone colour reference.

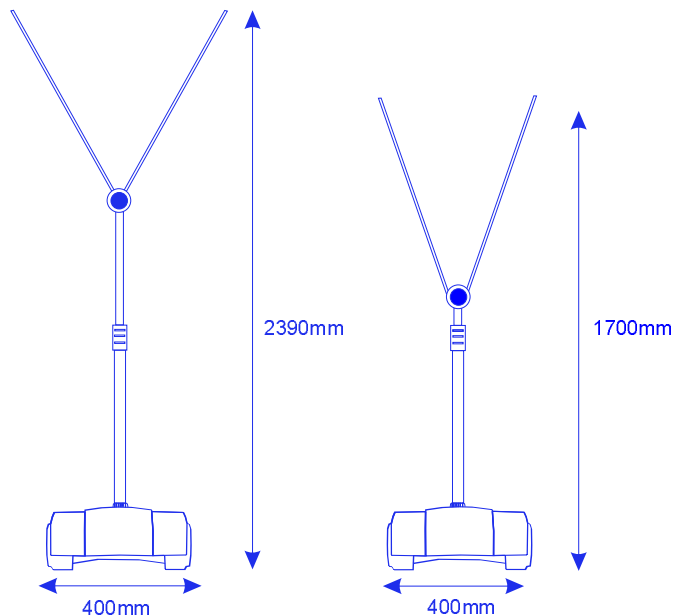
5. Formats = CD-ROM, Zip (100mb), ISDN

6. All prices are for printing your graphics direct from a ready to print disk. Additional MAC time is charged at £45 / hour.

7. Software packages = Quark express 4.1, Adobe photoshop 6, Adobe illustrator 9, Freehand 8, Page maker

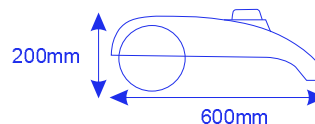
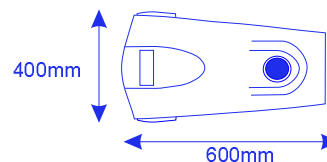
Stand Specification

www.discountdisplays.co.uk



Adjustable width and height

Weight base empty 4.5kg
Weight base full 22kg
Base takes 18lt of water



base dimension