



- Increase traffic to target areas in your store.
- 2 sided slatwall stand.
- Great versatility with a large selection of accessories.
- Display your poster, hand out leaflets and hang your products.
- Available in your choice of 3 different finishes.
- 2 choices of standart dimensions. 7 grooves for add on pockets.
- Overall dimensions 920mm wide x 410mm deep x 1850mm high or 920mm wide x 410mm deep x 1550mm high.
- Flat packed in doublewall cardboard box (base unassembled) to gain space during transport.

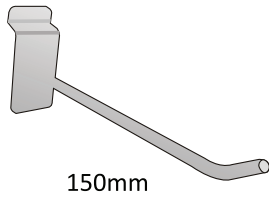


Unlike traditional slatwall panels our grooves are completely constructed from E6-EV1 quality aluminium.
No cracks or fractures when displaying heavier items



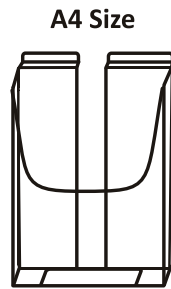
- Material : Melamine faced hardboard.
- Main body constructed from 8mm thick hardboard panels and E6-EV1 quality aluminium.
- Baseplate 30mm thick hardboard.
- Total gross weight 20kgs for DSS A 8221800-7, 18kgs for DSS A 8221500-7.
- Flat packed in doublewall cardboard box.

Hooks



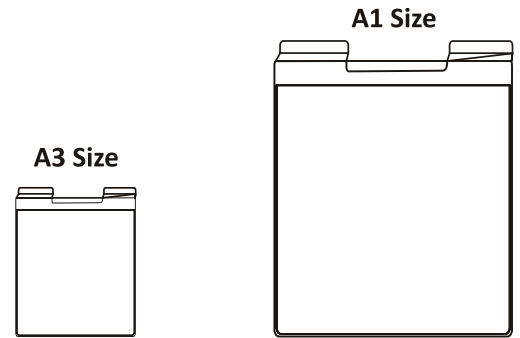
Brochure Holders

3mm thick clear acrylic brochure holders



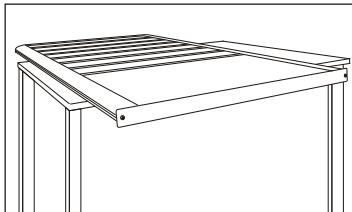
Poster Holders

3mm thick clear acrylic poster holders



Assembly Instructions

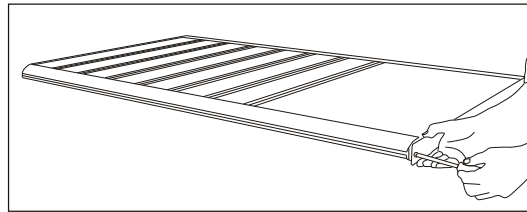
1



Lay the slatwall on a counter.

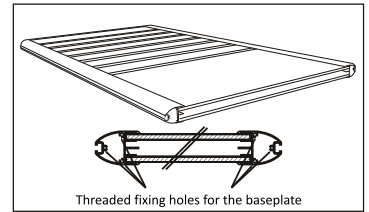


2



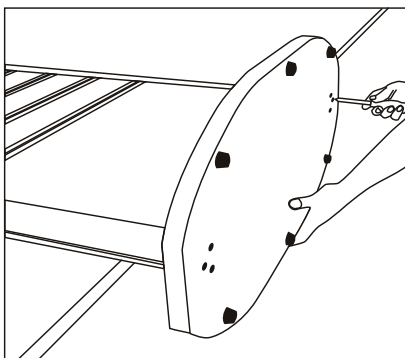
Dismantle the 1mm thick steel sheet at the bottom.

3



Keep the 2x short screws and steel sheet for future repacking.

4



Fix the baseplate to the deluxe stand using 6 x long screws.

