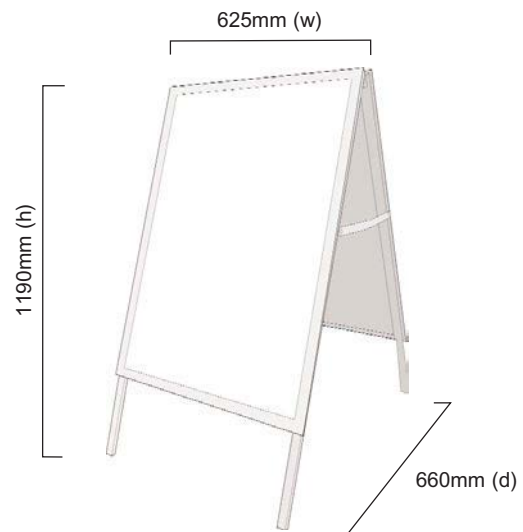




features & benefits

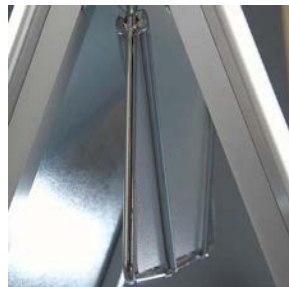
- Easy front loading, snap frame
- Available in A1 portrait format
- Complete with UPVC protective graphics cover
- Galvanised steel backing for extra strength and stability
- Silver or black finish



hardware specifications	graphic specifications	additional info
Assembled dimensions (mm) 1190 (h) x 625 (w) x 660 (d) Closed dimensions (mm) 1190 (h) x 625 (w) x 60 (d) Weight: 11kg - External A-sign	Maximum Graphic Dimensions (mm): 841 (h) x 594 (w) [A1 Portrait] Visible Graphic Dimensions (mm): 831 (h) x 584 (w) Substrate: 1mm thick maximum For External A-sign encapsulate graphic or use suitable substrates for outdoor use	Availability: Aluminium frame with Anodised silver or black finish



Anodised aluminium frame with rounded corners.



A-frame hinge with locking stay for stability.



Anti-glare protective sheet for posters.



Posters slide easily into the A-Board Frame.