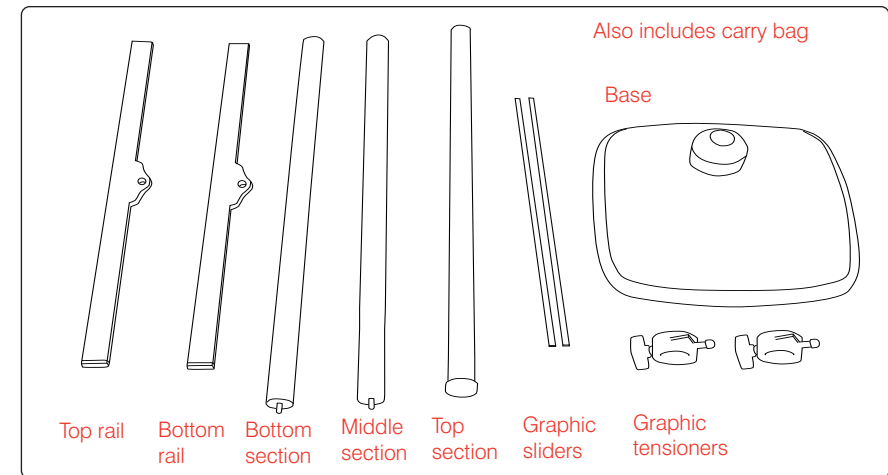
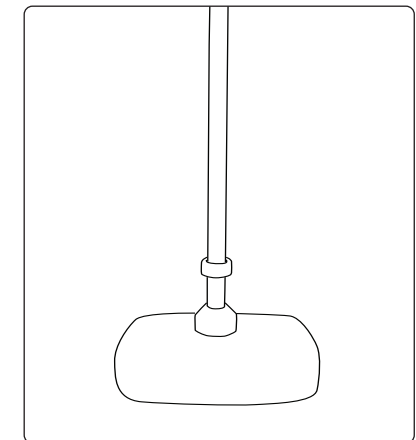
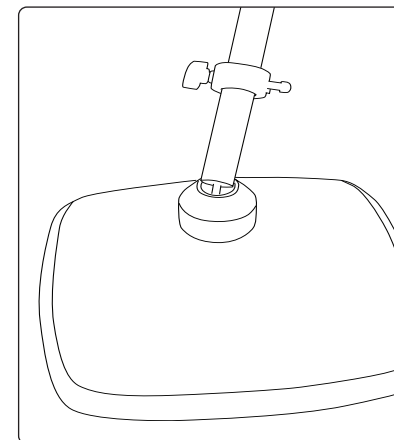
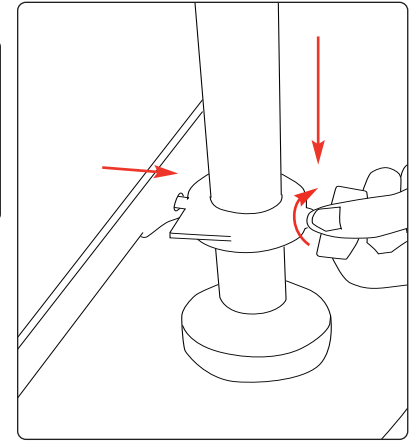
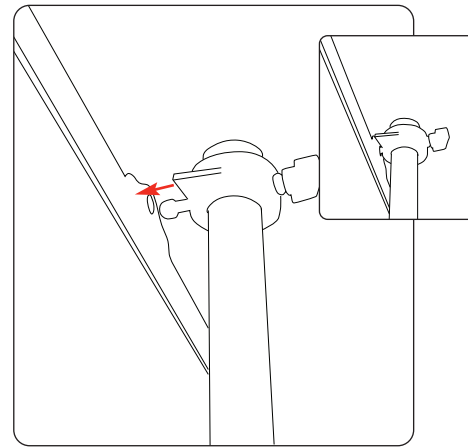
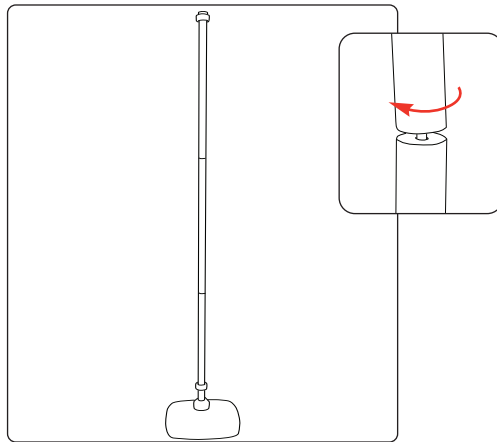
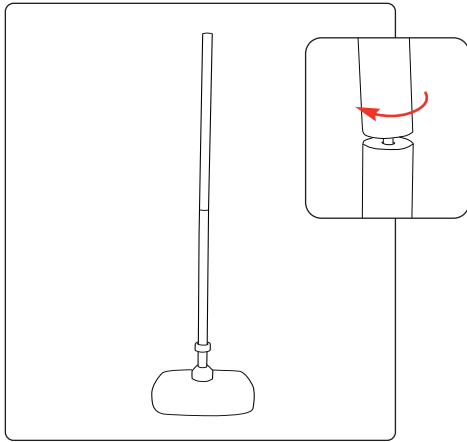


Tension banner



Hardware specifications	Graphic specifications
Assembled dimensions 2010mm (h) x 610mm (w) x 330mm (d) (mm) weight 3.4kg	Graphic Area: 1800(h) x 600 (w) (mm)





Attaching graphic

When attaching graphic slider make sure the slider is attached to the front of the graphic

