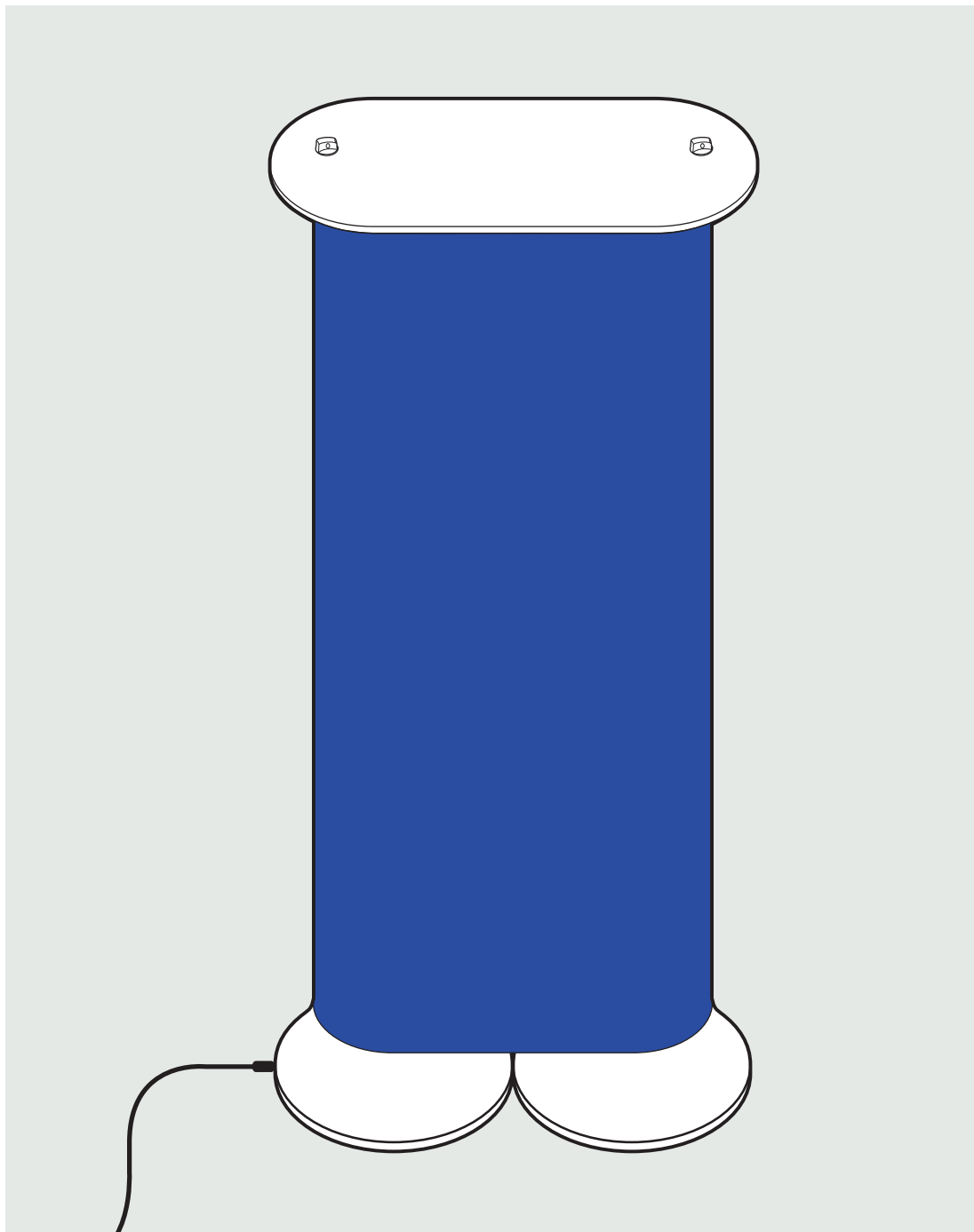


# LUMOS DOUBLE TOWER

*product set up instructions*

**Tel: 0844 800 1020**

## Lumos Double Tower Setup Instructions

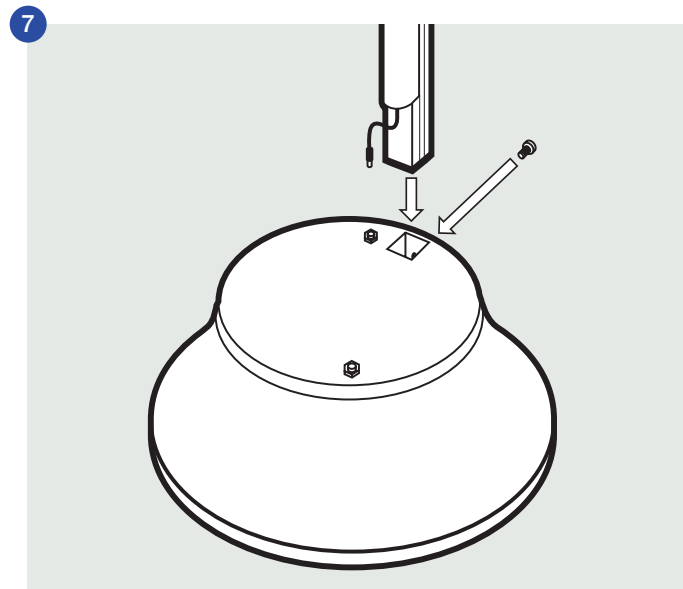
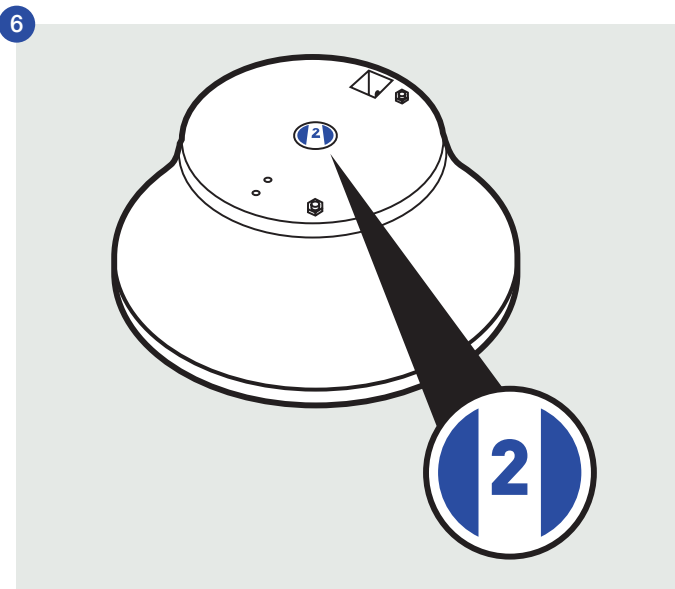
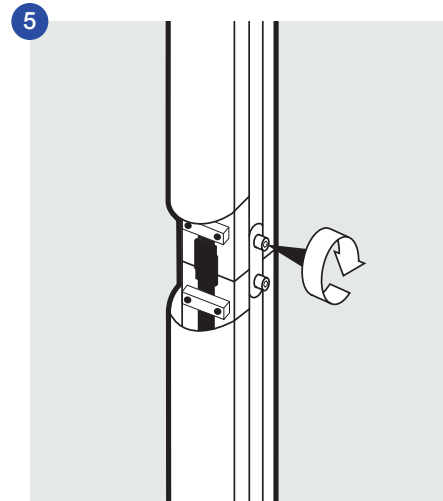
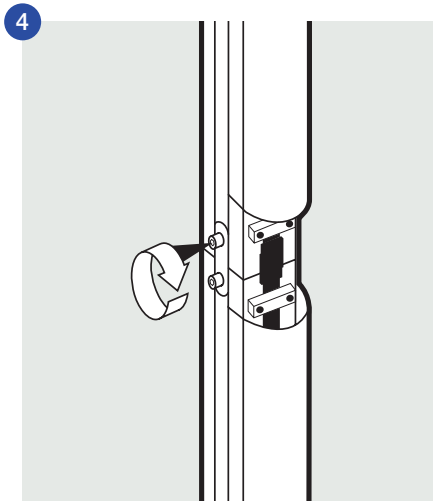
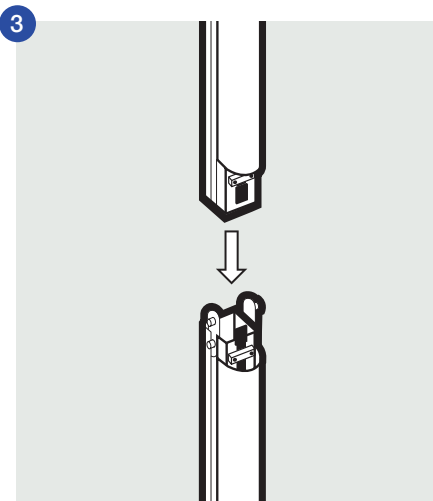
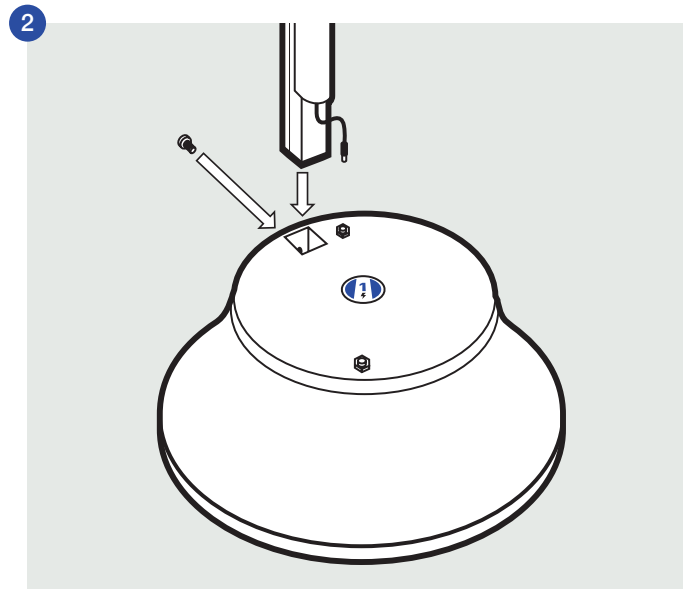
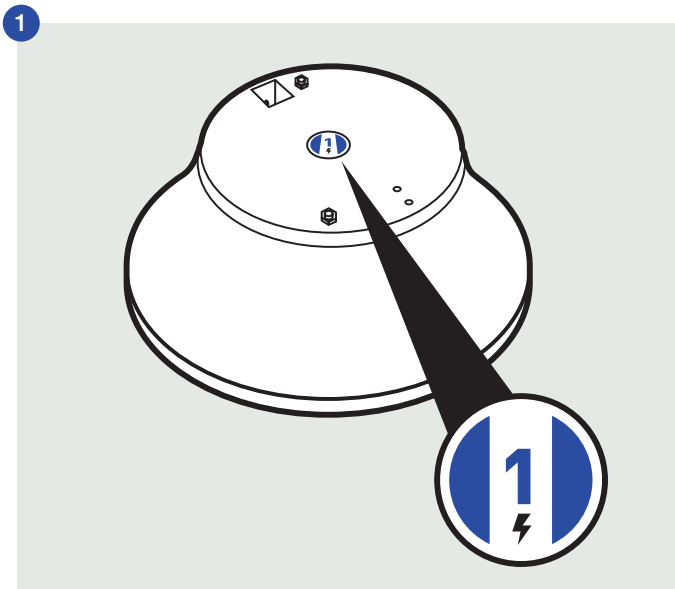


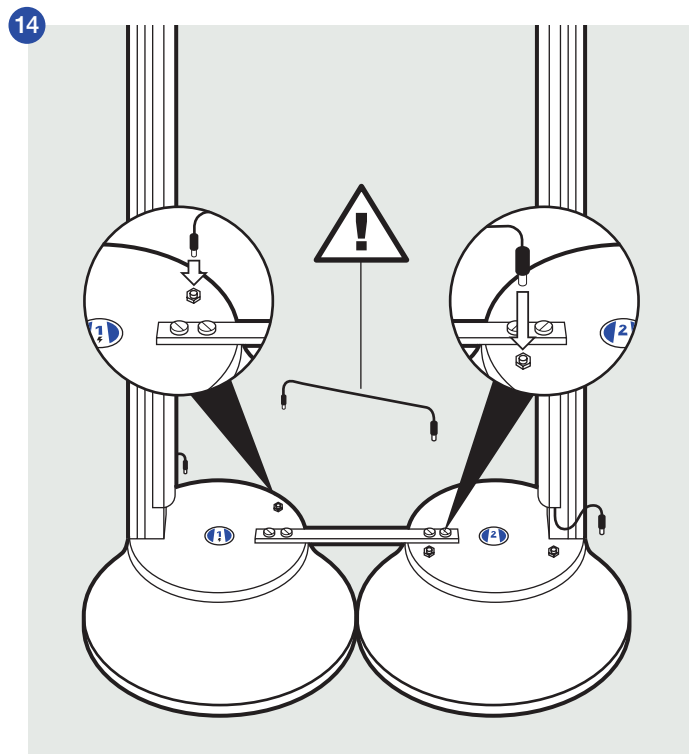
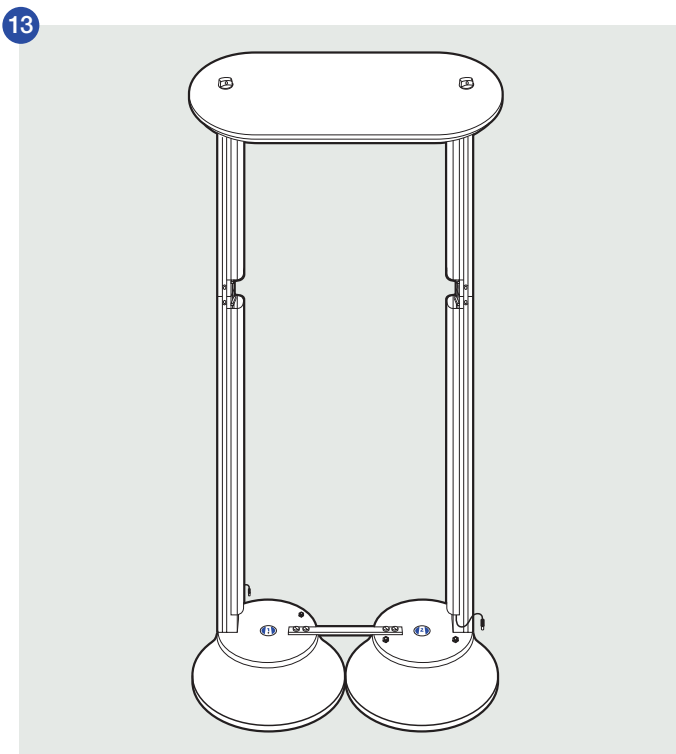
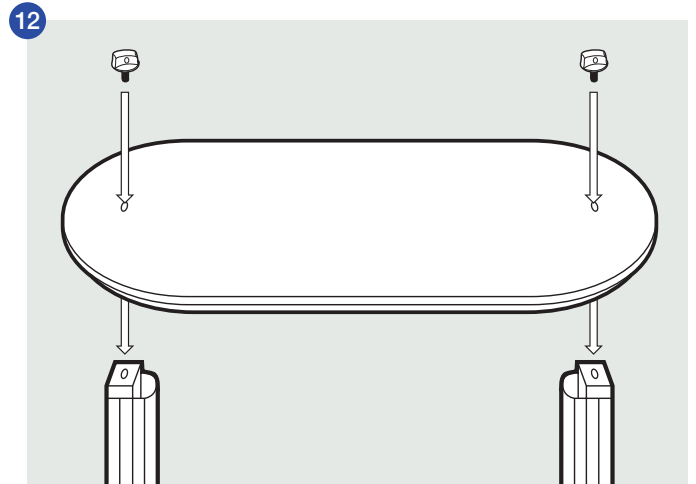
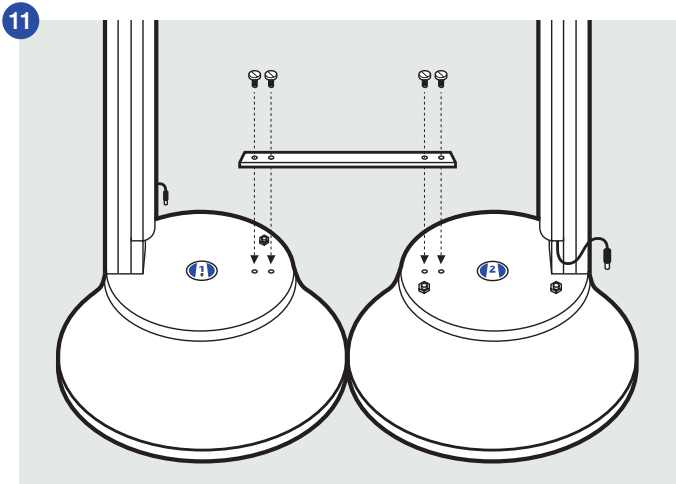
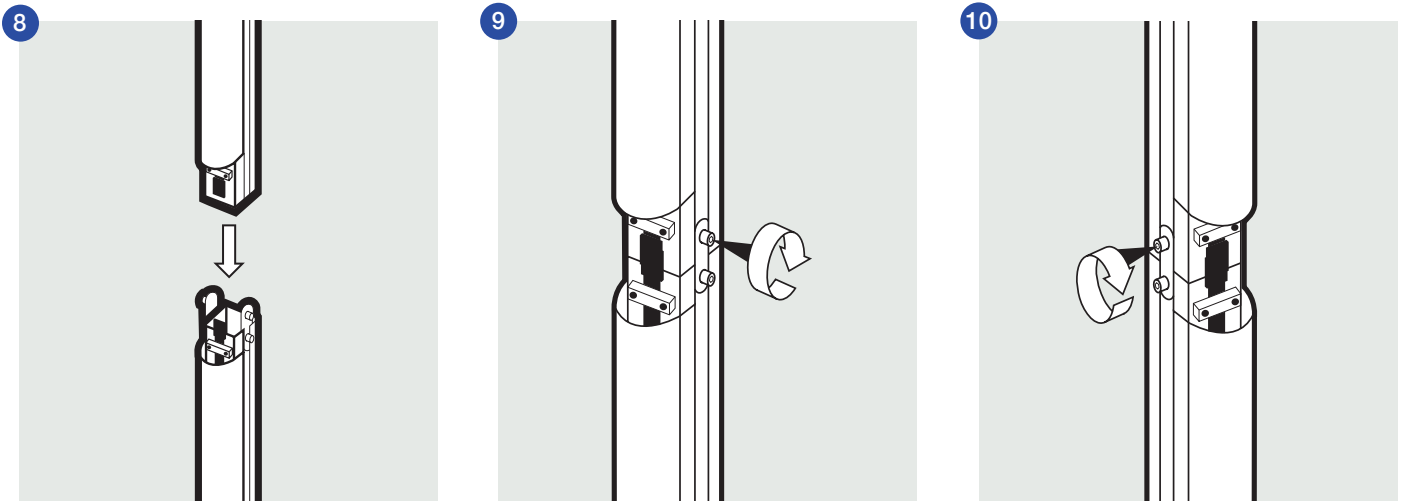
Part 1

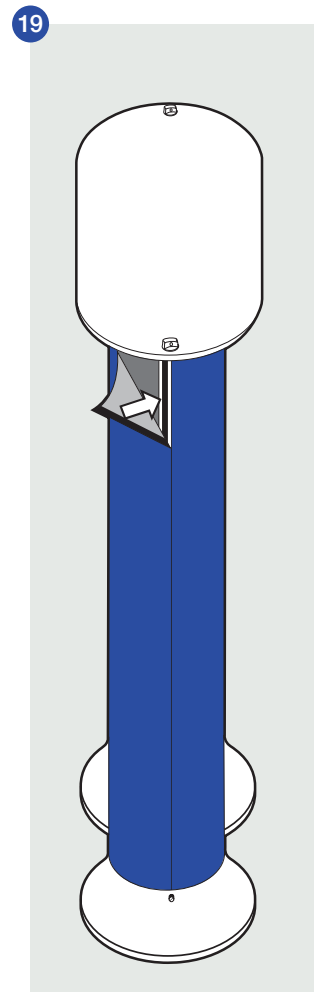
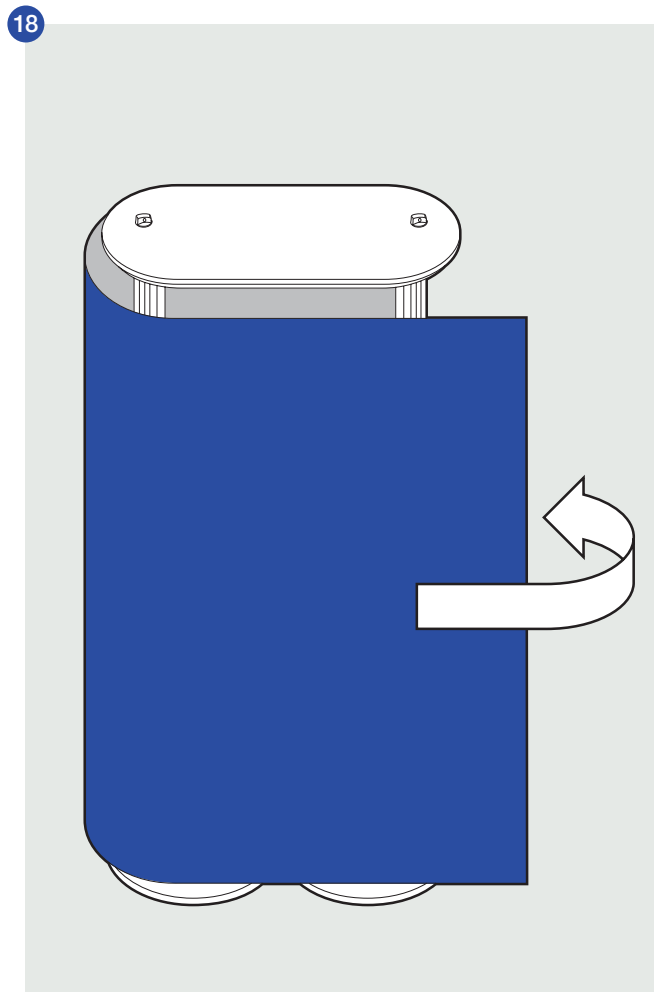
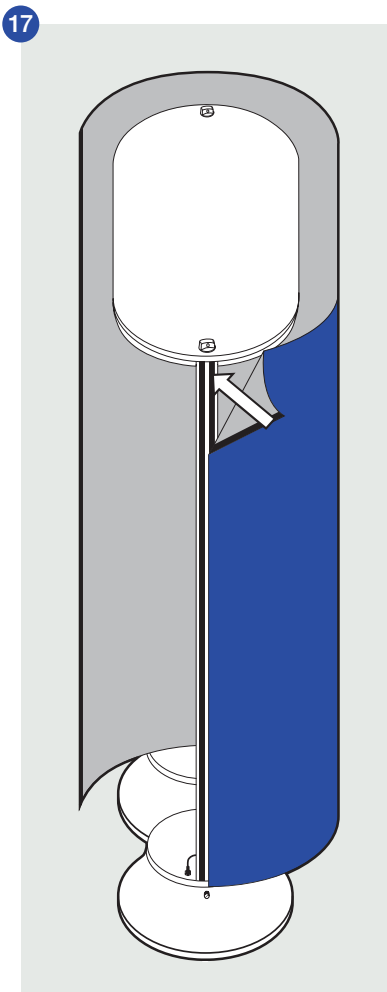
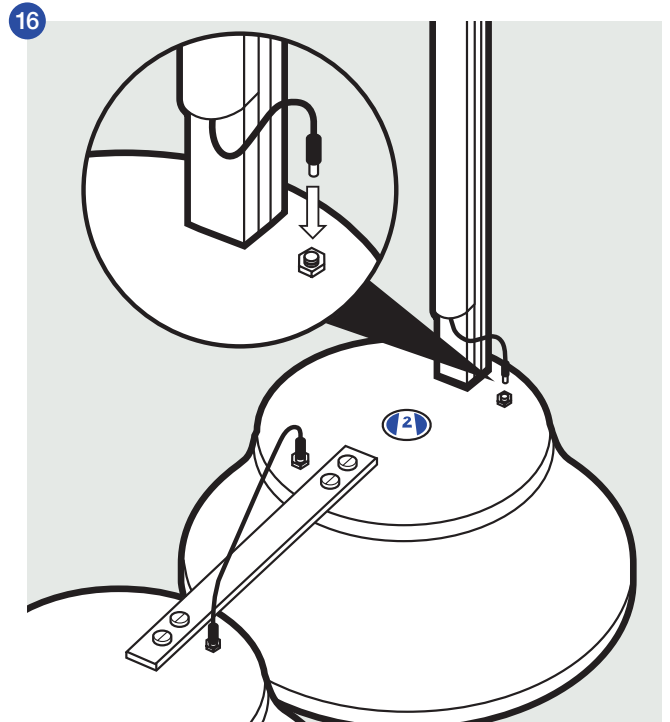
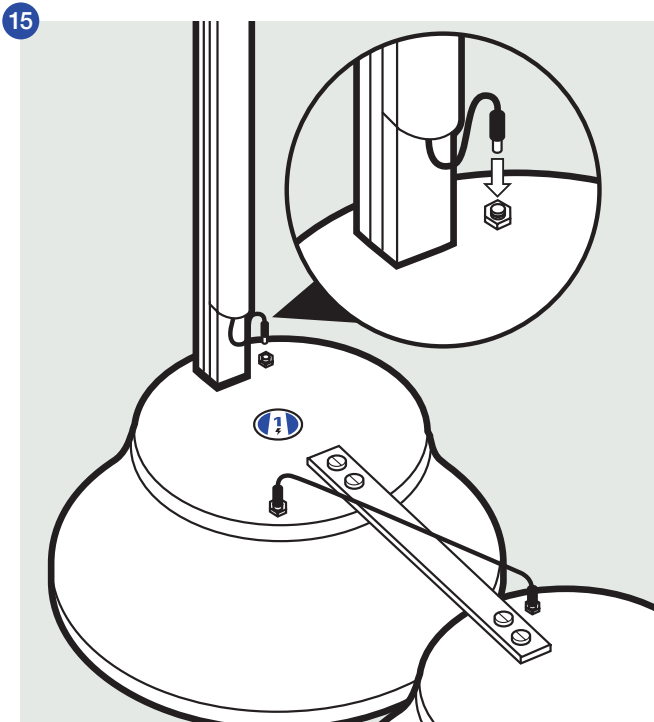
## Lumos Double Tower Setup Instructions

### Items

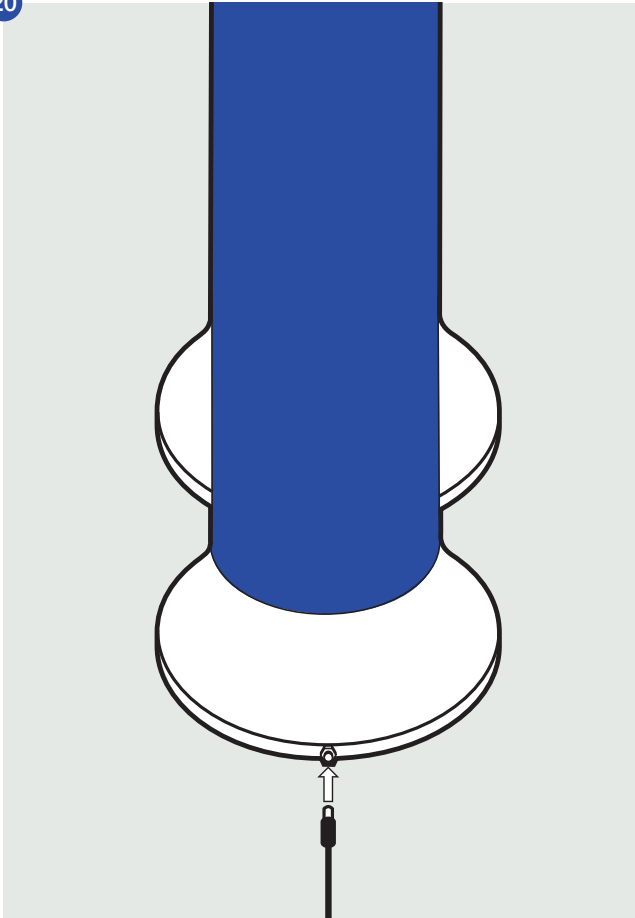
2x bases; 2x long LED upright sections; 2x short LED upright sections; 1x connecting bar; 1x light connecting lead; 1x top; 1x graphic panel; 1x transformer







20



21

