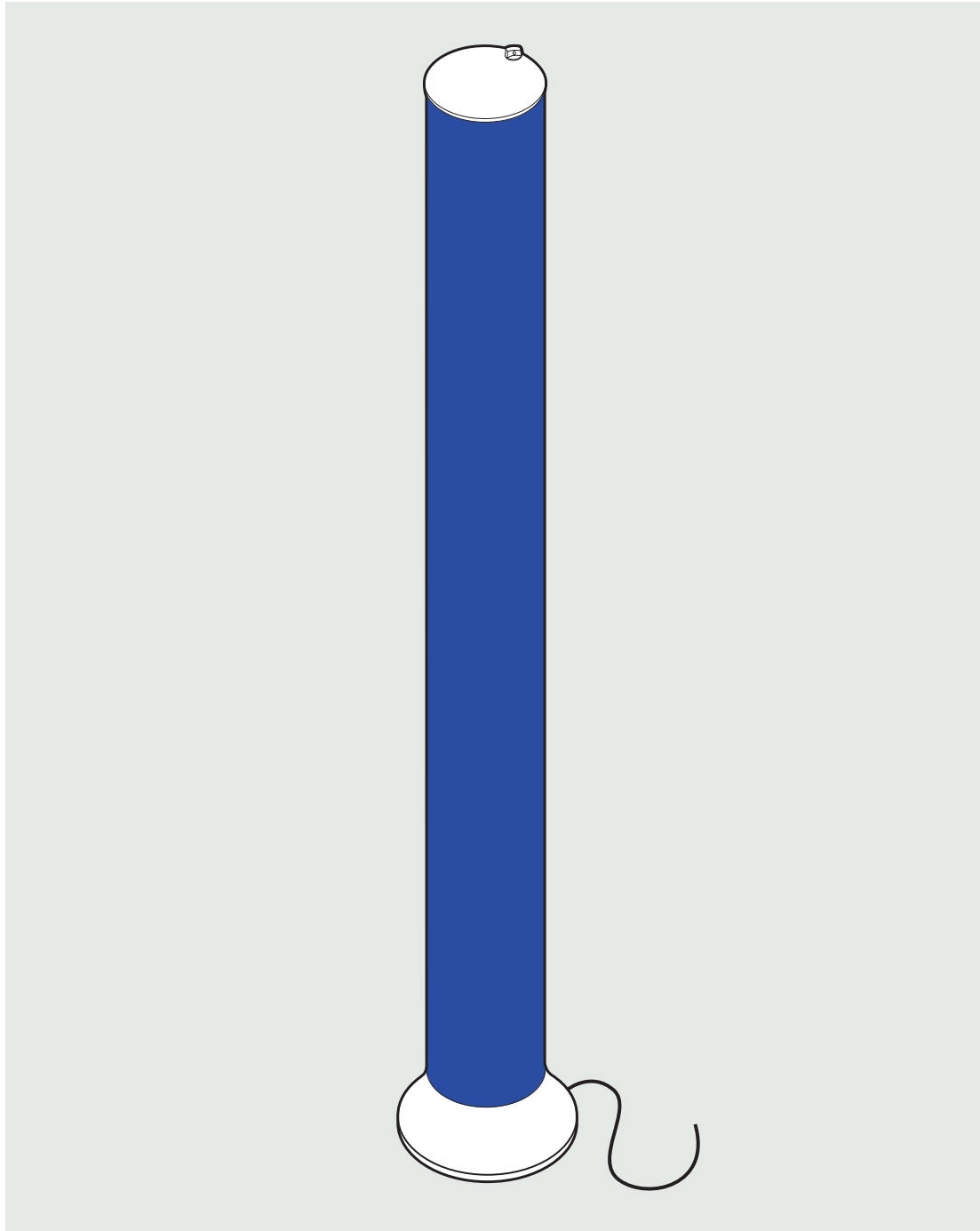


LUMOS MAXI TOWER

product set up instructions

Lumos Maxi Tower Setup Instructions

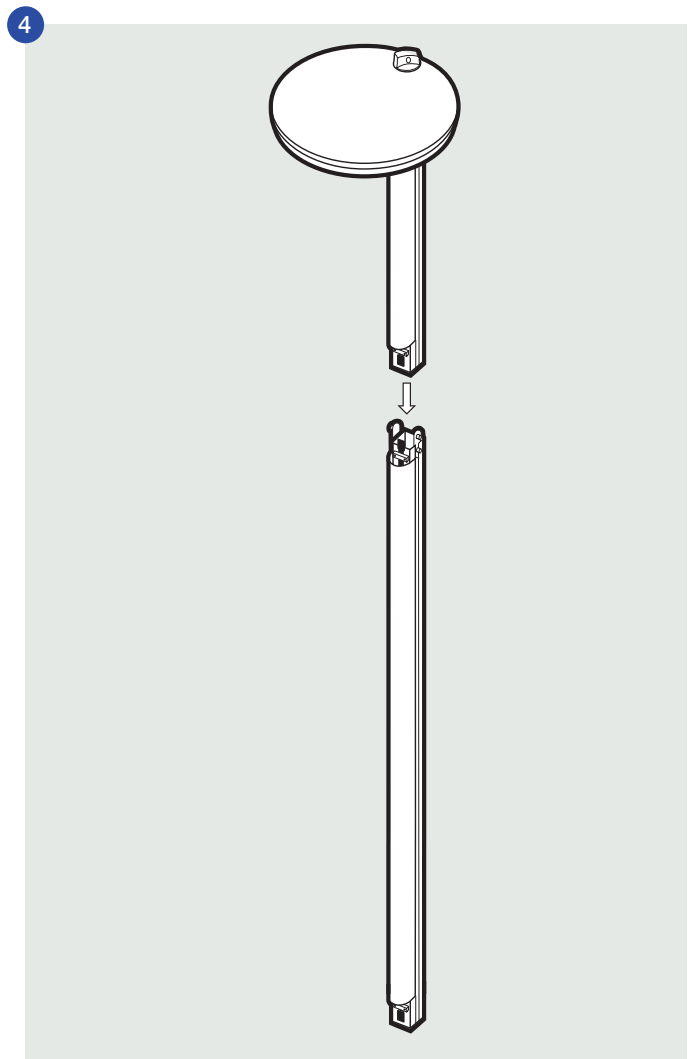
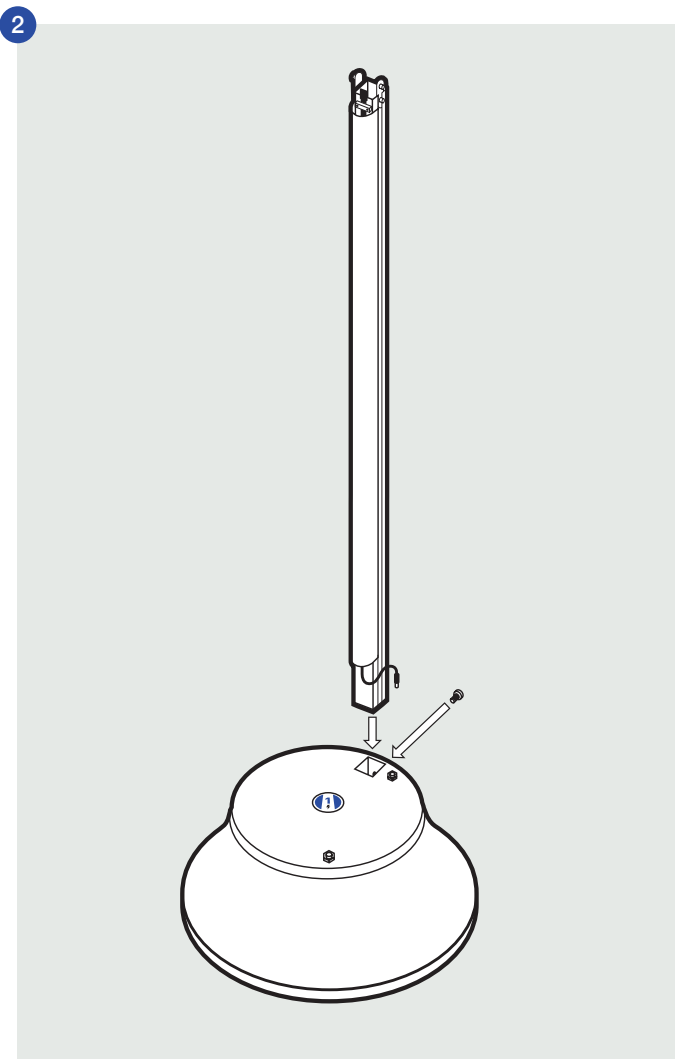
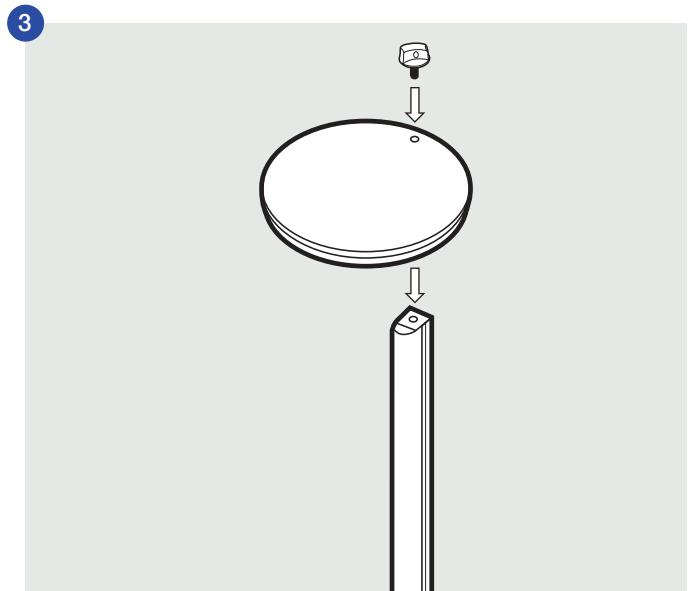
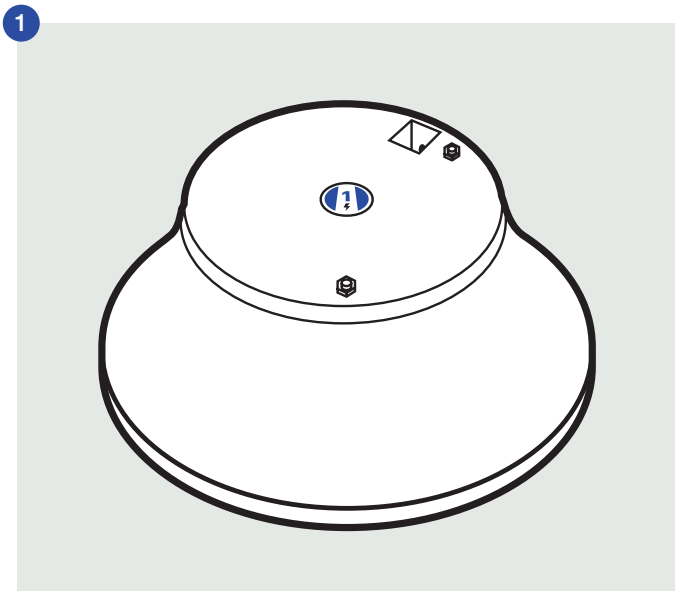


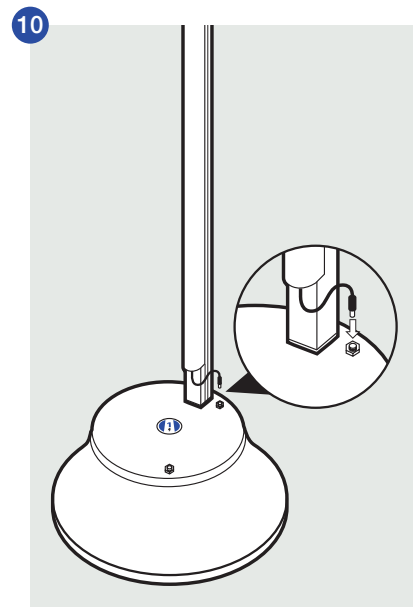
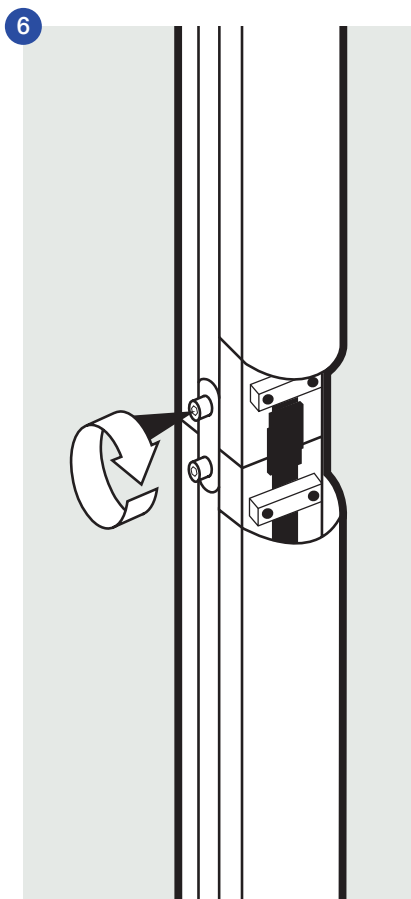
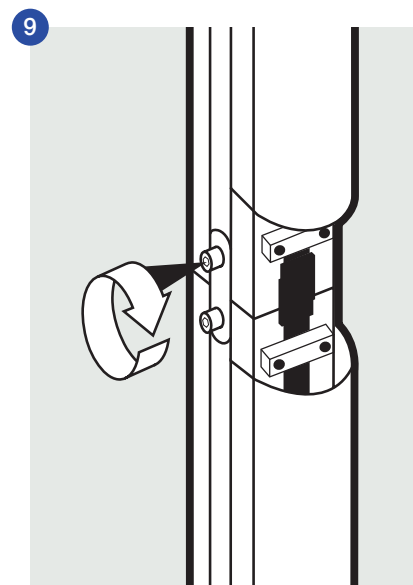
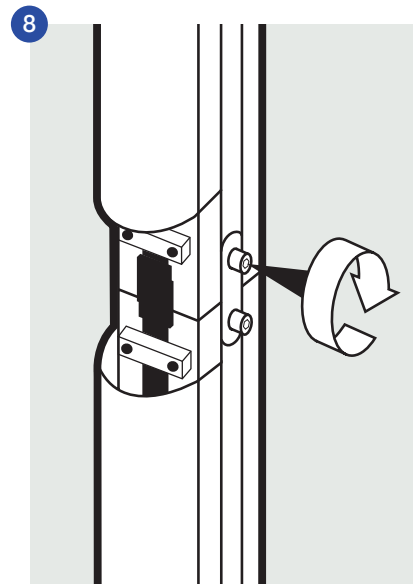
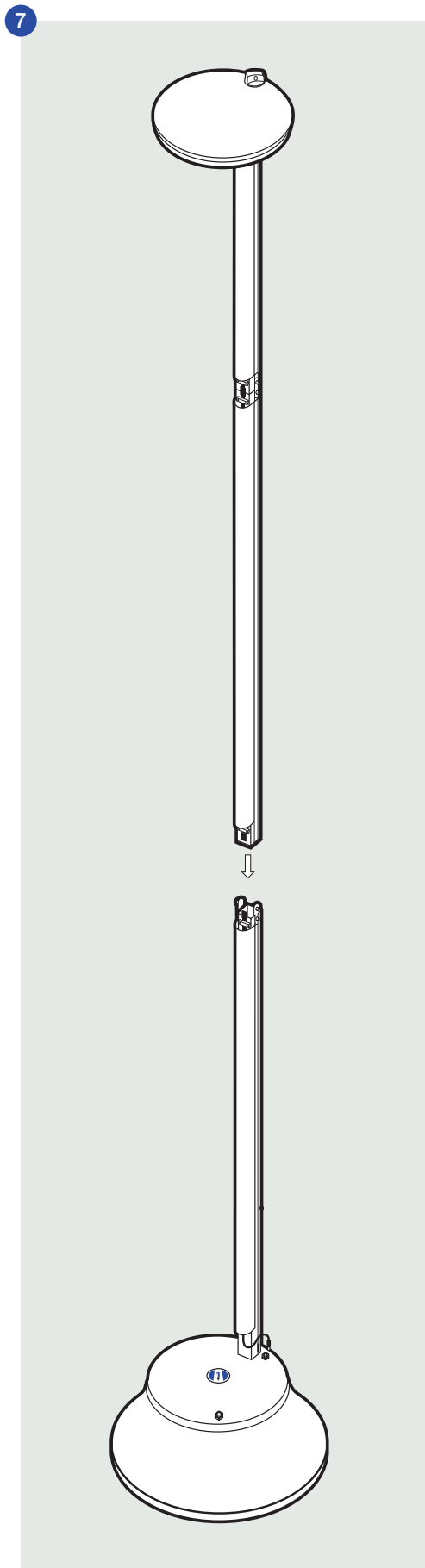
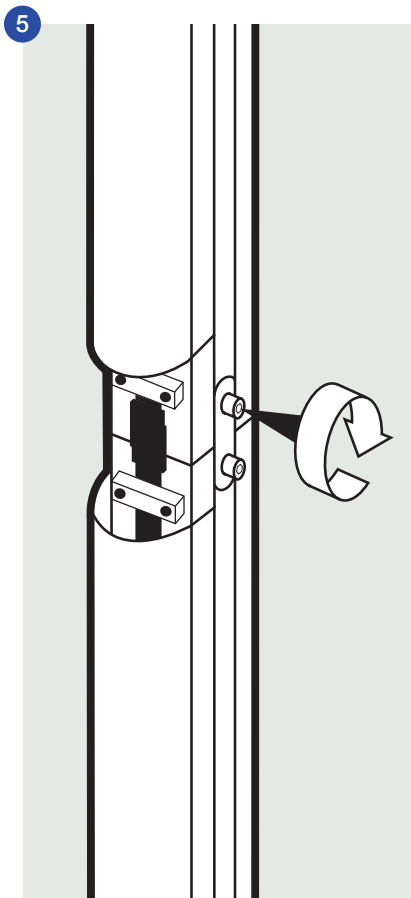
Part 1

Lumos Maxi Tower Setup Instructions

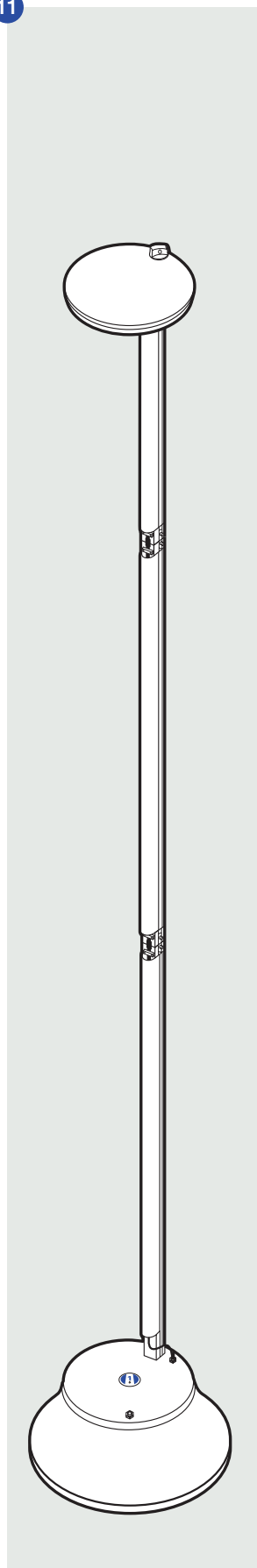
Items

1x base; 2x LED upright sections; 1x top; 1x graphic panels; 1x transformer

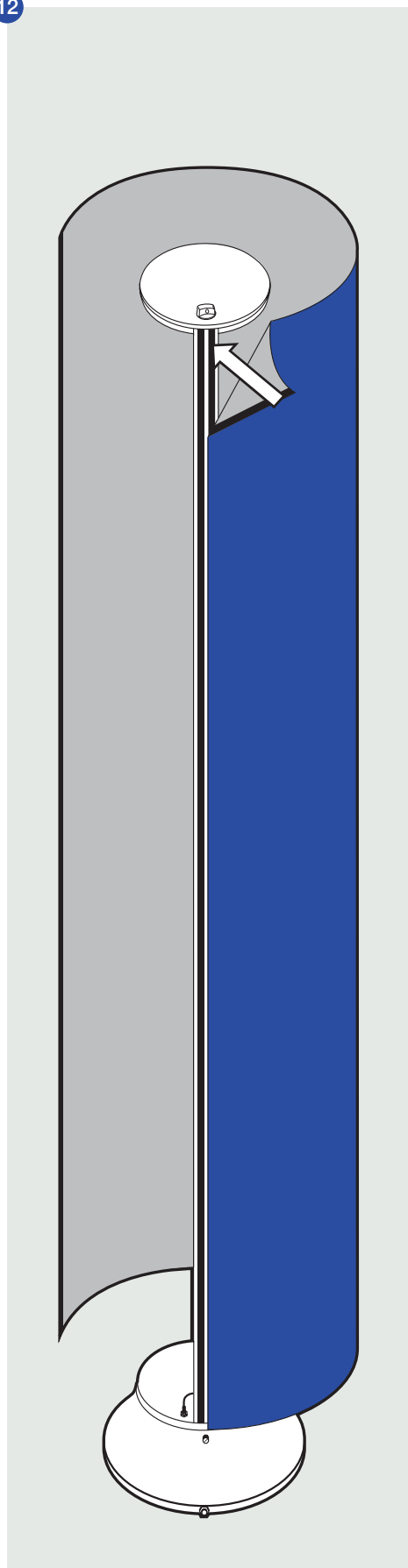




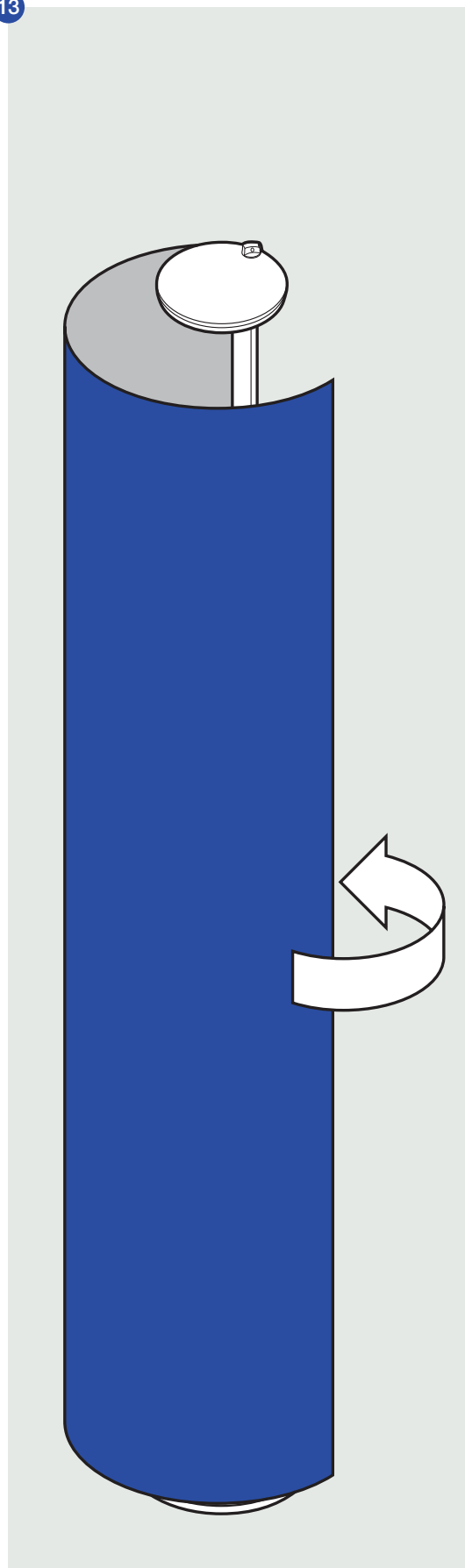
11



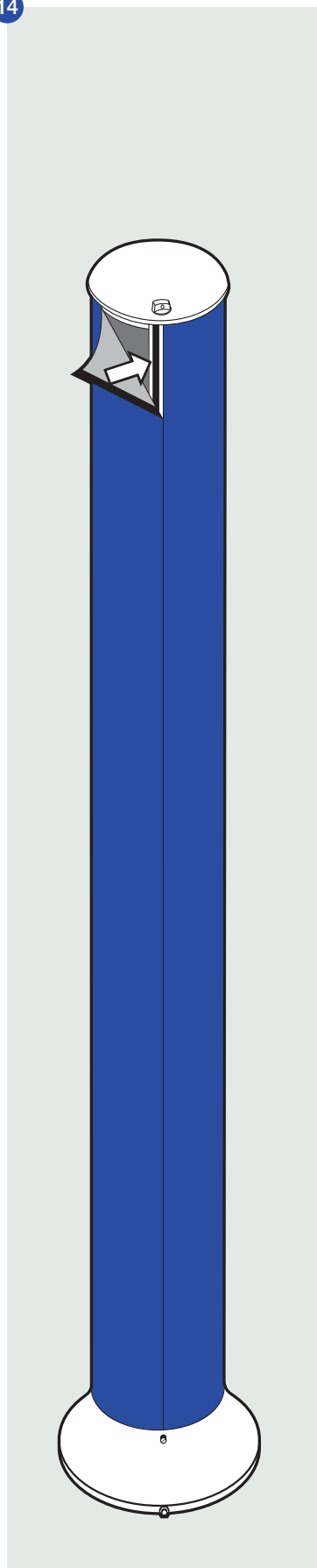
12



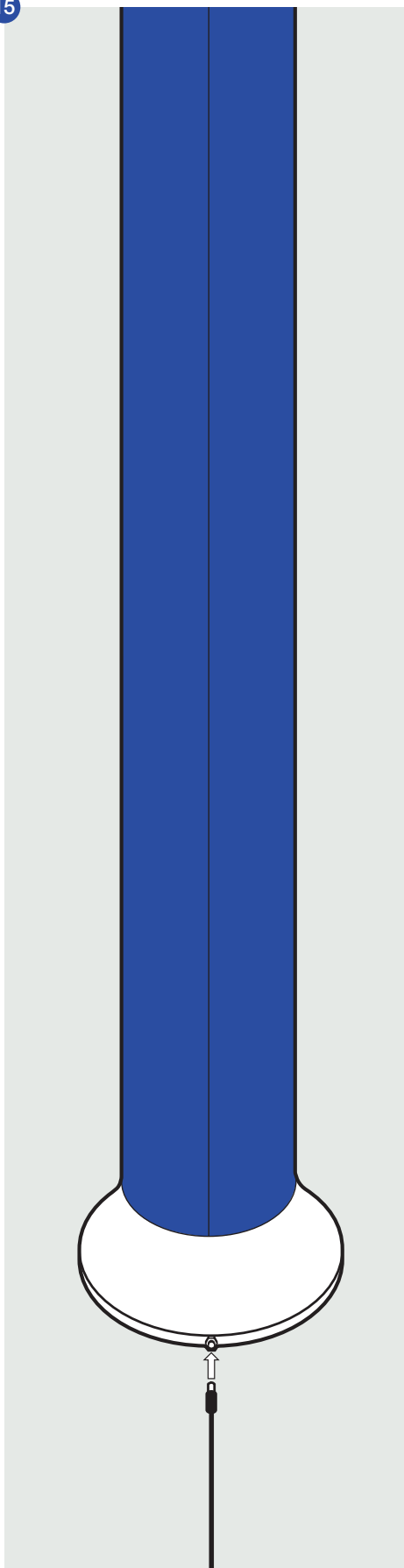
13



14



15



16

