

## SPECIFICATIONS

### GRAPHIC PANEL SIZE

**Finished graphic panel size**  
2200mm x 850mm  
(Includes 200mm bleed)

### Visual graphic area

2000mm x 850mm

### Maximum finished graphic panel thickness

250mm

### SYSTEM SIZES

#### Boxed size

970 [l] x 205 [w] x 150 [d] mm

#### Assembled size

2135 [h] x 920 [w] x 300 [d] mm

#### Boxed weight

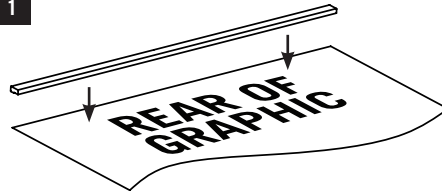
5.0kg

## COMPONENT LIST

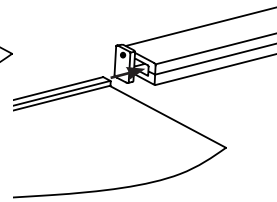
- 1 x Organic unit
- 1 x Top pole
- 1 x Middle pole
- 1 x Bottom pole
- 1 x Hanger
- 1 x Padded carry bag

## ORGANIC ASSEMBLY INSTRUCTIONS

1



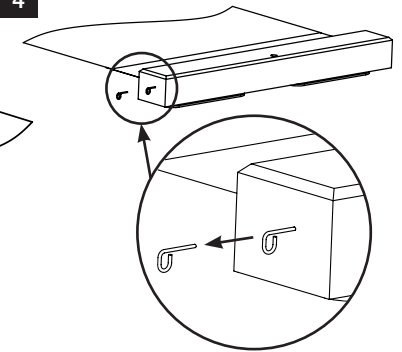
2



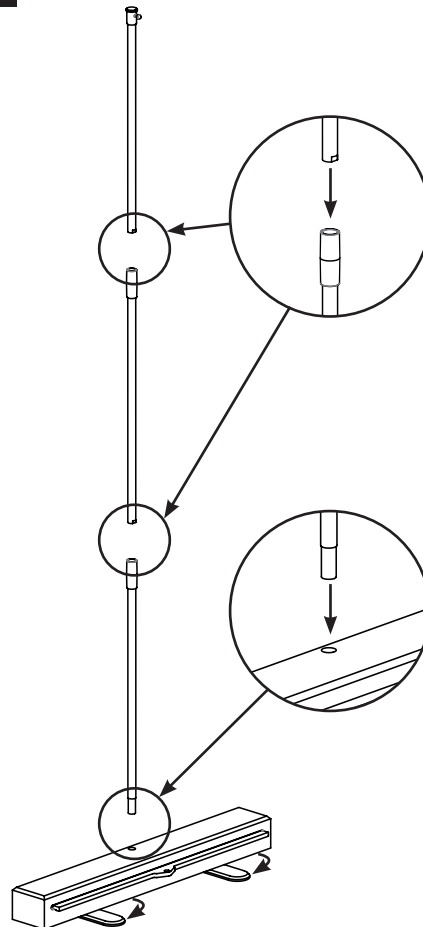
3



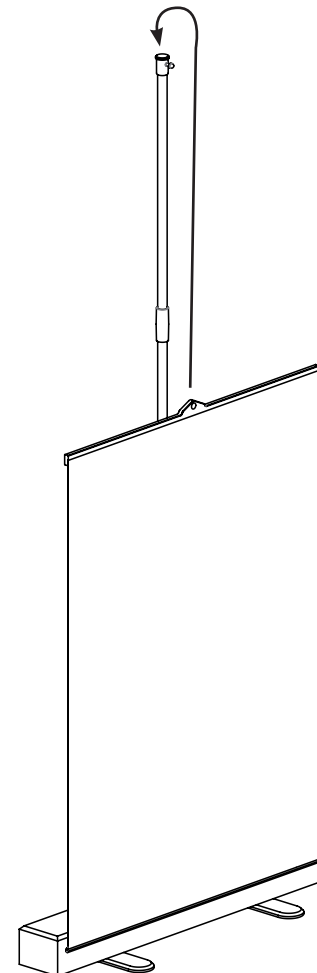
4



5



6



7

