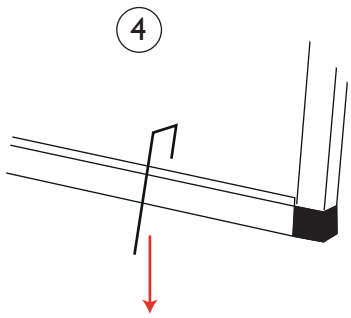
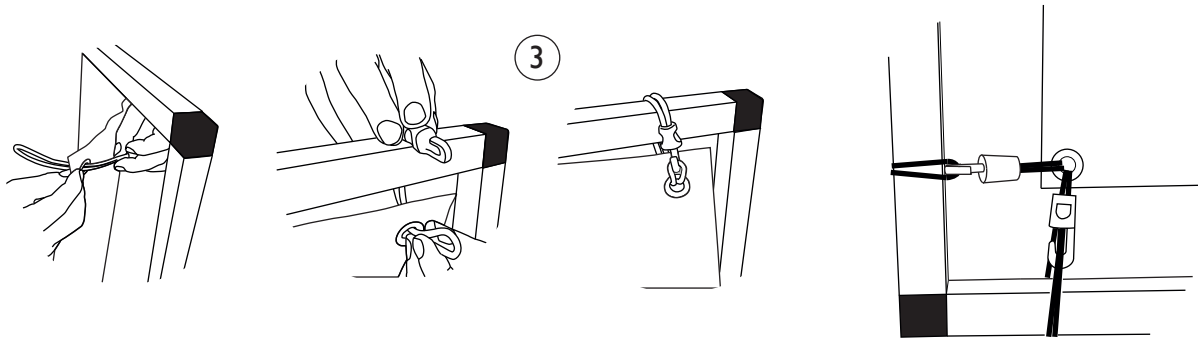
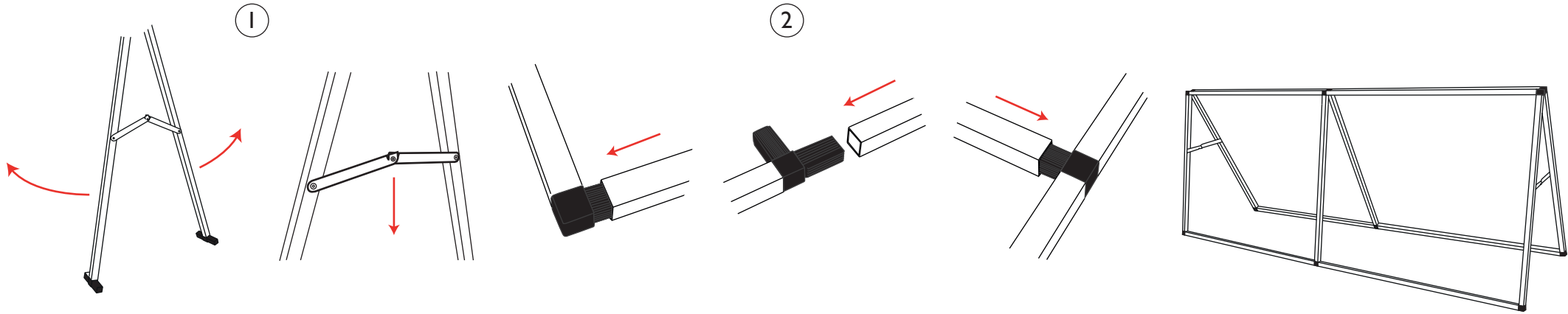


# Banner Frame



1. Open up all the 'A' frames and push each locking arm down to secure the frame.
2. Push fit the aluminium tubes together.
3. Pass the elastic bungee cord through the graphic eyelet and around the frame to secure (Corner eyelets require two bungees).
4. To secure the frame, push or hammer the pegs into the ground over the framework.

