

Cascade

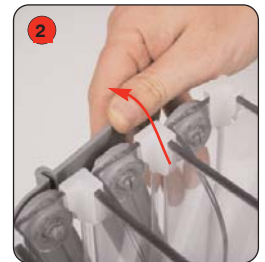
A lightweight polymer based literature holder with 4 pockets. Collapsible for easy transportation and supplied with carry bag.

features & benefits

- Lightweight, polymer construction
- Versatile one step cantilever assembly action
- 4 pocket capacity
- Robust, transparent polycarbonate literature pockets
- Available in grey
- Carry bag included

Assembly

CAUTION:
Ensure fingers are kept clear of folding mechanism when opening and closing.



Remove the folded unit from the carry bag and lift the catch on both sides to loosen the pockets.



Lift the pockets from the back in an upwards and forwards motion.



Stabilise the literature holder during assembly by placing foot on base.

Secure into assembled position by locating the catches on both sides of the holder.

hardware specifications

Assembled Dimensions (mm)

1480 (h) x 265 (w) x 310 (d) approx.

58.3" (h) x 10.4" (w) x 12.2" (d) approx.

Closed Dimensions (mm):

360 (h) x 265 (w) x 310 (d) approx.

14.2" (h) x 10.4" (w) x 12.2" (d) approx.

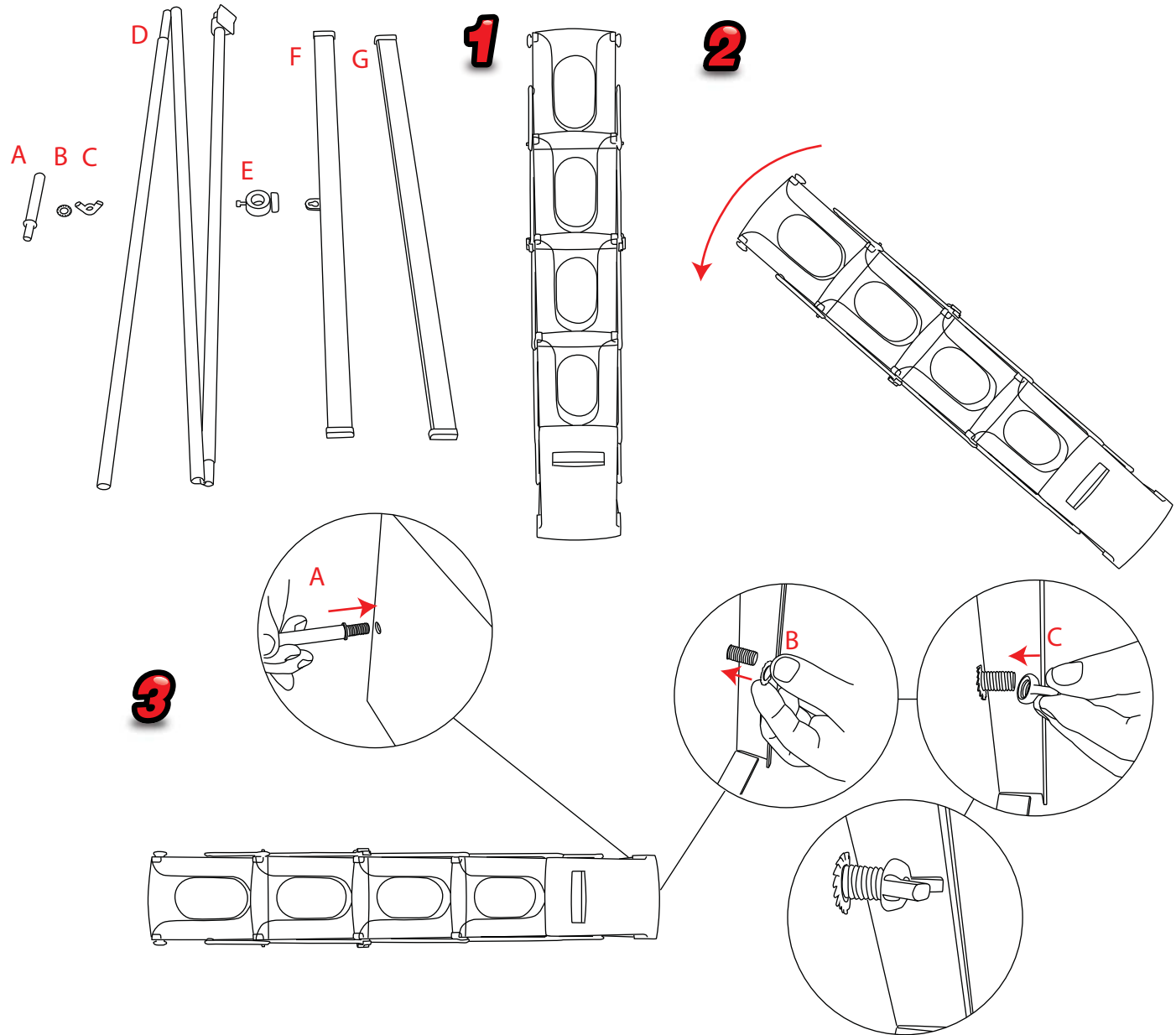
Internal Tray Dimensions (mm):

330 (h) x 224 (w) x 35 (d) approx.

13.0" (h) x 8.8" (w) x 1.4" (d) approx.

Weight: 5.5kg approx (12lbs) including carry bag

Cascade Banner



Hardware Dimension(mm):
600(w) x 2125(h) x 55(d)
Visible Graphic Size(mm):
500min-2000max(h) x 600(w)
Weight:
1.15kg

Cascade Banner

