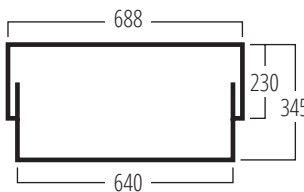


Weights in Kg

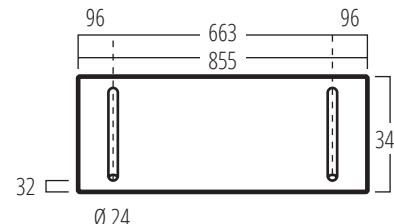
Rigid Top	1.52
Top	1.15
Shelf	1.09
Base Shelf	1.09
Body Panel	4.50
Pole Set (six pieces G)	2.58
Double Sided Header	0.45
Pole Set (six pieces H)	2.40
Single Sided Header	0.72
Bag	1.40

Packaging in Kg

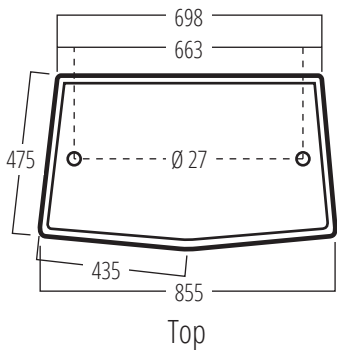
Individual reusable carton	1.35
External size: 920(w) x 560(d) x 150mm(h)	



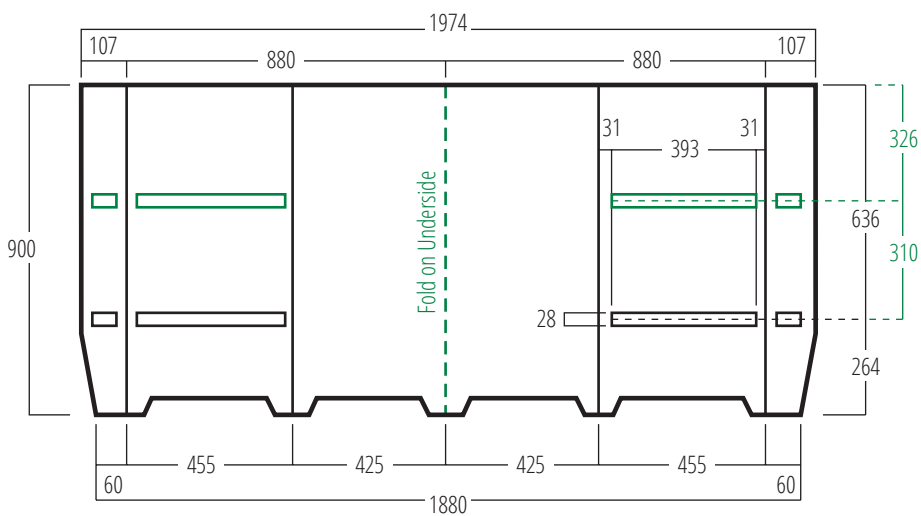
Double Sided Header



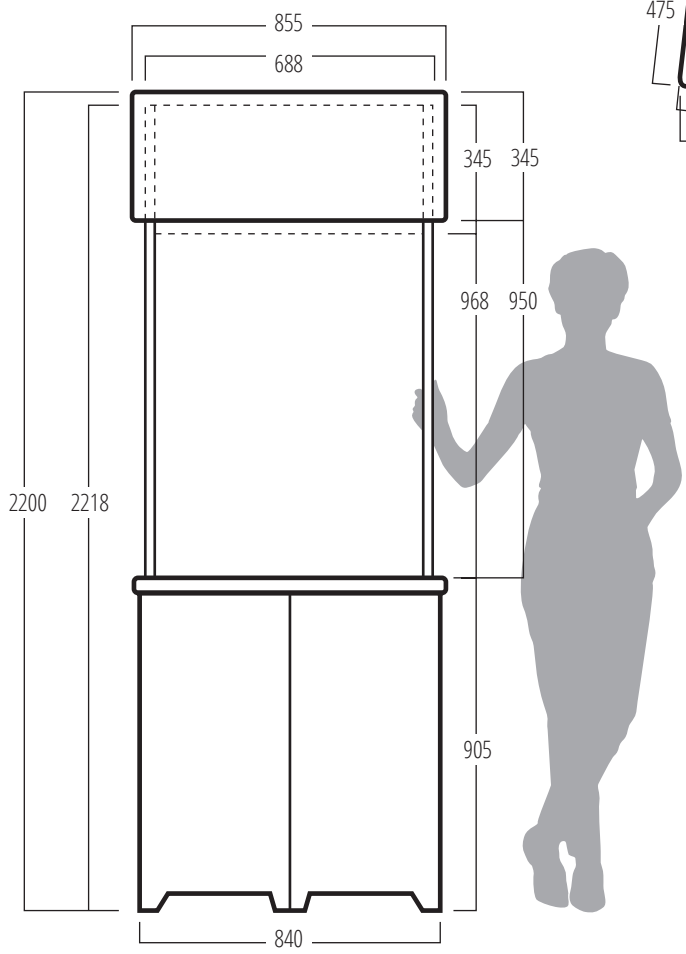
Single Sided Header



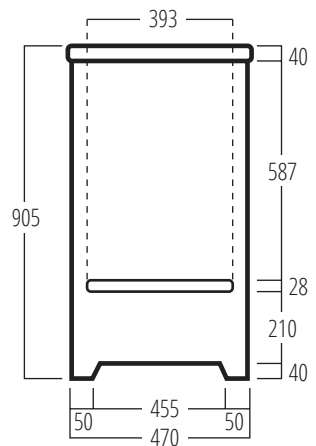
Top



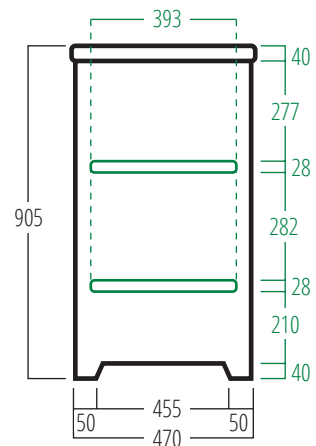
Graphic Size for One and Two Shelf Units
Allow 35mm for top



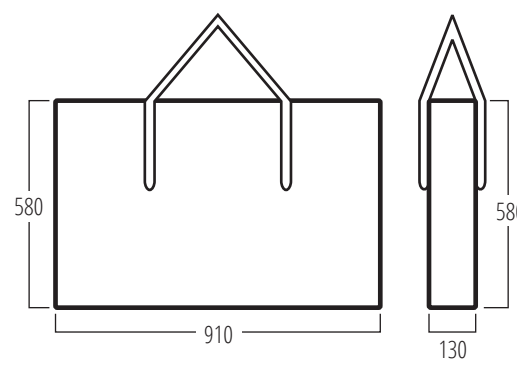
Unit and Header



Side - One Shelf



Side - Two Shelves



Carry Bag