

Eyeline® Basic wall or ceiling mounted screens



Matte White material

Offers significant clarity and contrast

Suitable for all formats

Covers all popular projection formats
1:1, 4:3, 16:9, 16:10

Keystone/Extension bracket

Optional bracket available to compensate for distorted images in OHP use

Simple installation

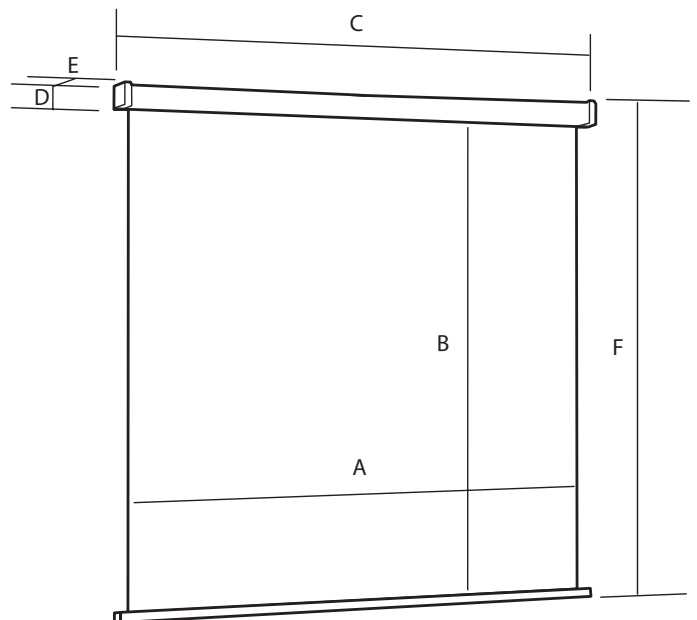
End cap fixing brackets for simple mounting to wall or ceiling

Wall mounted screens are easy to install.

No black borders provide variable format positioning

Economically priced for business, education or home.

12 month guarantee.



Dimension cm	Format	A Screen Width mm	B Screen Height mm	C Case Length mm	D Case Height mm	E Case Depth mm	F Overall Height mm	Weight kg
125 x 125	1:1	1250	1250	1290	68	68	1340	7
150 x 150	1:1	1600	1600	1640	68	68	1690	8
180 x 180	1:1	1800	1800	1840	68	68	1890	10
200 x 200	1:1	2000	2000	2040	68	68	2090	11
240 x 240	1:1	2400	2400	2440	68	68	2490	13