

# Eyeline® Basic Tripod portable projection screens



Tripod screens are easy to set-up, adjustable support pole and height of bottom case allow for variable format positioning.

Economically priced for business, education or home.

12 month guarantee

## Matte White material

Offers significant clarity and contrast

## Infinite height adjustment

Provides for variable format positioning

## Keystone eliminator

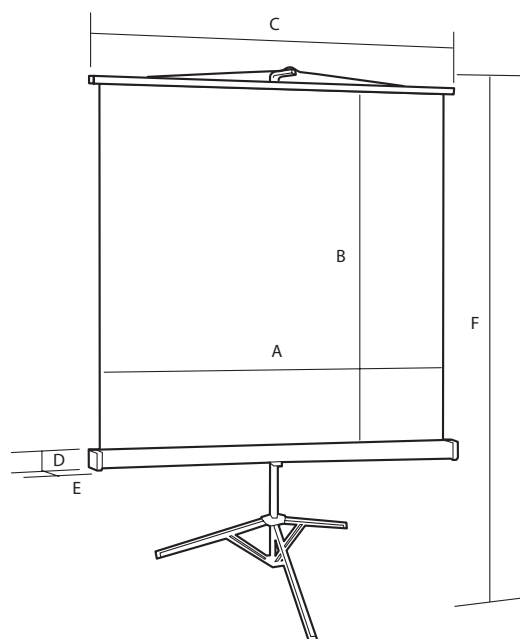
Compensates for distorted images in OHP use

## Simple installation

Portable Screen with pole support mounting and integral carrying handle

## Suitable for all formats

Covers all popular projection formats 1:1, 4:3, 16:9, 16:10



Product Code	Dimension cm	Format	A Screen Width mm	B Screen Height mm	C Case Length mm	D Case Height mm	E Case Depth mm	F Overall Height mm	Weight kg
PJ001-1250	125 x 125	1:1	1250	1250	1290	60	60	1930	8
PJ001-1500	150 x 150	1:1	1500	1500	1540	60	60	2380	10
PJ001-1800	180 x 180	1:1	1800	1800	1840	60	60	2680	12
PJ001-2000	200 x 200	1:1	2000	2000	2040	70	70	2880	13
PJ001-2400	240 x 240	1:1	2400	2400	2440	70	70	3080	18