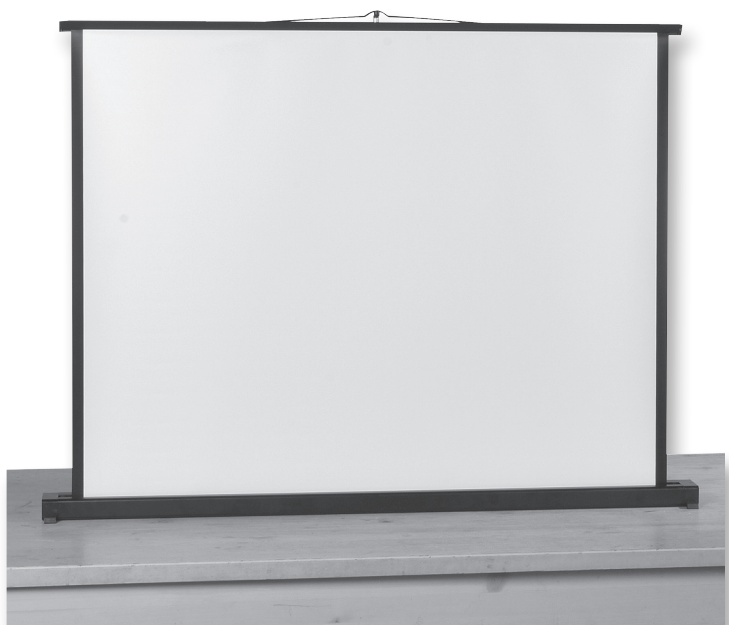


Eyeline® Tabletop portable projection screen



Projection format

This screen offers an impressive 50" Diagonal (127cm) Video 4:3 format projection surface.

Material & borders

Matte white projection surface. Vertical black borders, top bar and case create a visual frame to your image.

Operation

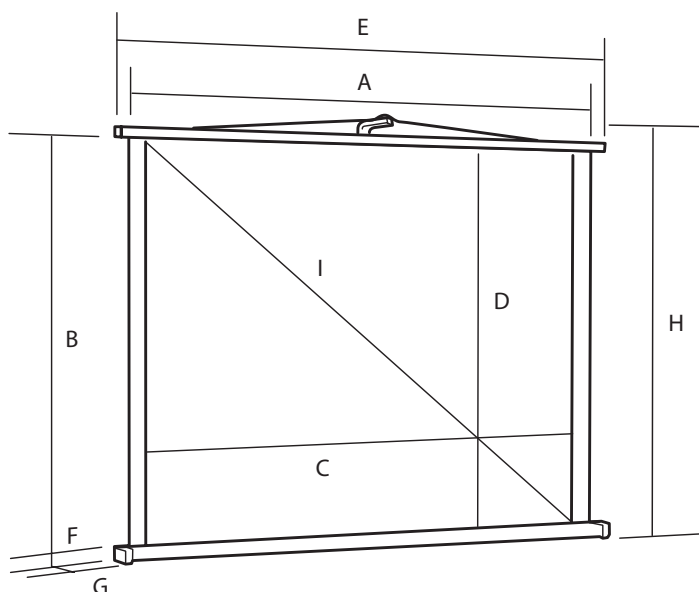
Easy to setup – Simply fold out feet at each end of the case for stability, attach pole stored within the case and raise screen into position.

Portability

Screen is incredibly lightweight at only 1.65kg, ideal for multi-room, multi-venue use.

This projection screen is incredibly compact, light and portable. Ideal for small group tabletop presentations and for use in meeting rooms.

12 month guarantee.



Size	Format	A Screen Width mm	B Screen Height mm	C View Width mm	D View Height mm	E Case Length mm	F Case Height mm	G Case Depth mm	H Overall Height mm	I Diagonal inches	Weight kg
50"	4:3	1055	850	1015	790	1160	38	65	888	50	1.65