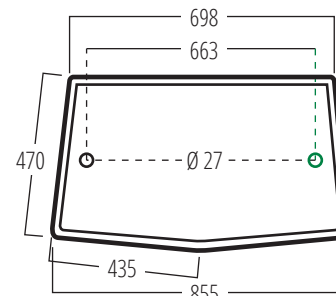


Weights in Kg

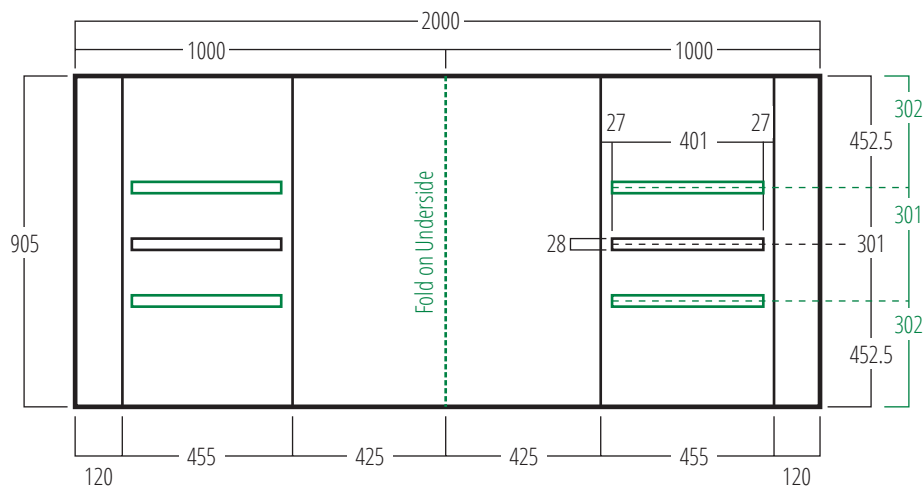
Rigid Top / Stif Top.....	1.48
Top.....	1.15
Shelf.....	1.09
Bottom.....	0.96
Body Panel.....	4.63
Pole Set (six pieces) H.....	2.40
Header.....	0.72
Pole Set (six pieces) M Roof Kit.....	2.36
Roof Kit.....	1.78
Door Panel.....	0.85
Bag.....	1.40

Packaging in Kg

Individual reusable carton .....	1.35
External size: 920(w) x 560(d) x 150mm(h)	

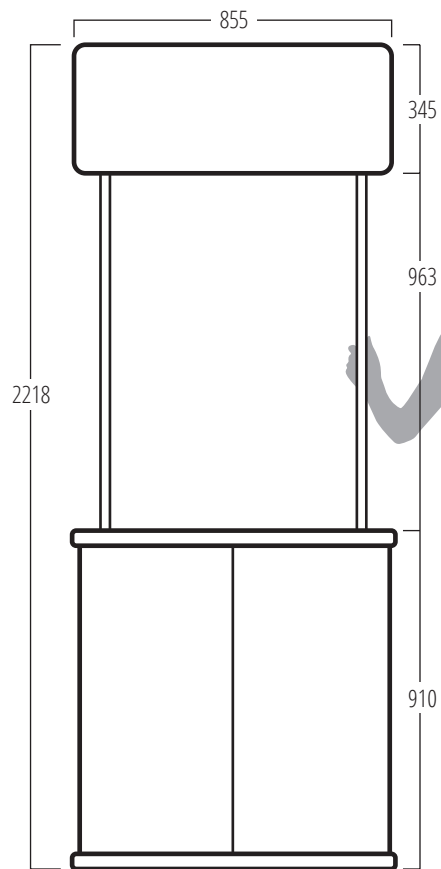


Top - Original One Hole Top

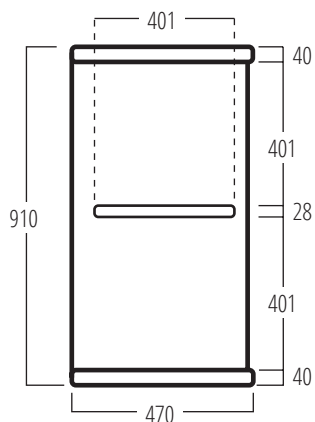
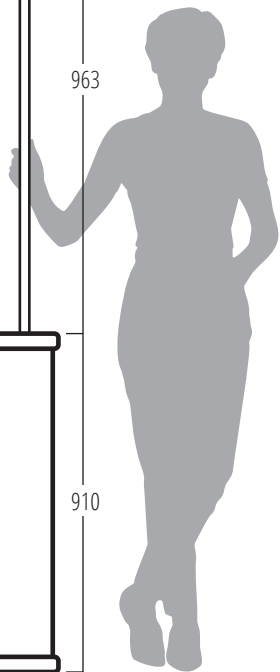


Graphic Size for One and Two Shelf Units

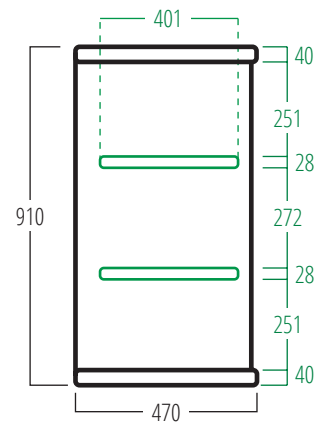
Allow 37.5mm for top and bottom



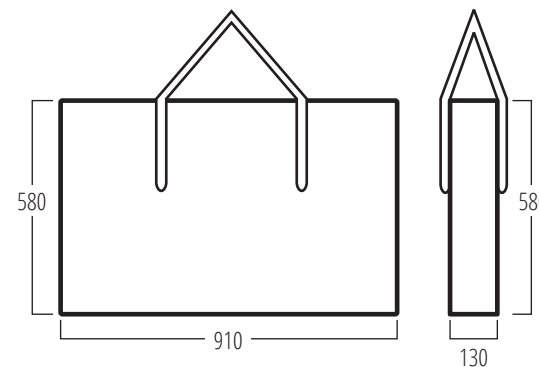
Unit and Header



Side - One Shelf



Side - Two Shelves



Carry Bag