

# POPULAR

## Dimensions & Weights

<b>WEIGHTS</b> .....	Kg
Top .....	1.22
Shelf .....	1.15
Bottom .....	1.02
Body Panel .....	4.63
Pole Set (six pieces) <b>G</b> .....	2.58
Header .....	0.51
Pole Set (six pieces) <b>M</b> Roof Kit .....	2.36
Round Tray .....	0.95
Bag .....	1.60

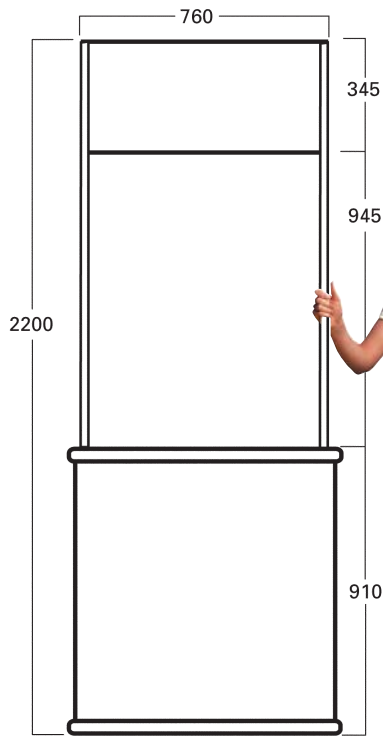
### PACKING

Individual Reusable Carton ..... 1.85  
 External Measurements  
 1000mm x 865mm x 75mm

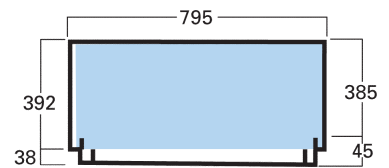
Round Tray Carton ..... 0.45  
 External Measurements  
 523mm x 523mm x 83mm

Bulk packaging, dimensions and weight dependent on number of units required.

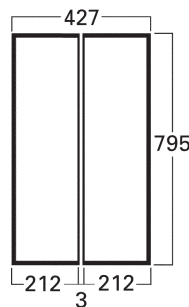
*Weights and measurements quoted are approximate.*



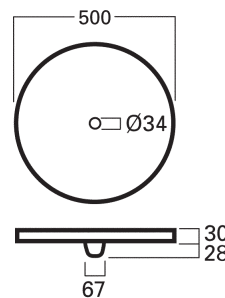
**UNIT AND HEADER**



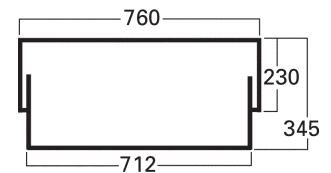
**ROOF KIT HEADER**  
 VISUAL GRAPHIC SIZE



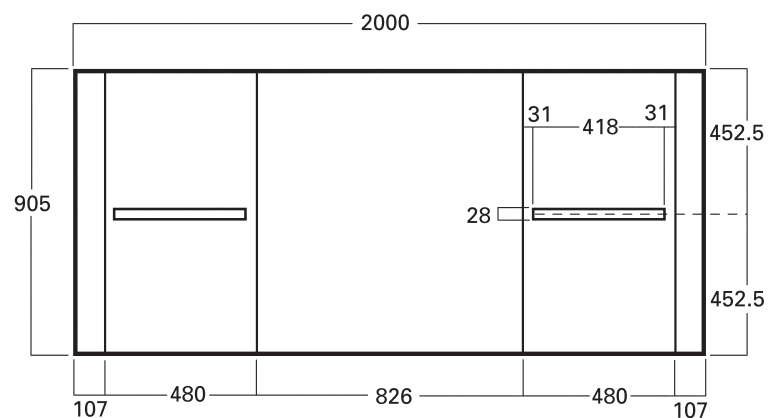
**ROOF PANELS**



**ROUND TRAY**



**DOUBLE SIDED HEADER**



**GRAPHIC SIZE**

ALLOW 37.5mm FOR TOP AND BOTTOM

