

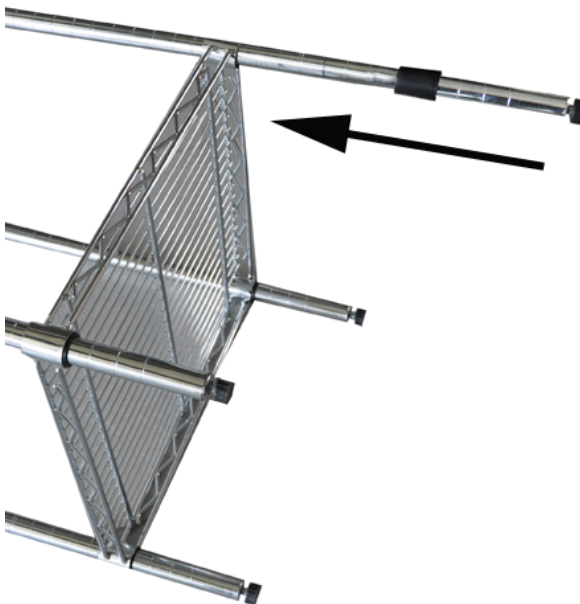
Shelving Assembly Instructions



1. Decide position of bottom shelf.

Attach a clip to each of the legs at the same height. This is easier if you lie all four legs next to each other.

Slide the clip until you hear it click in place into one of the groves



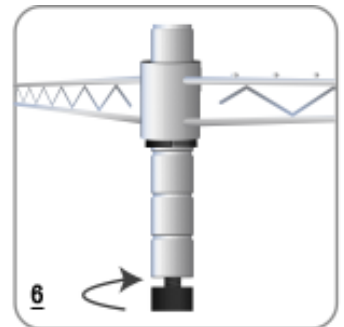
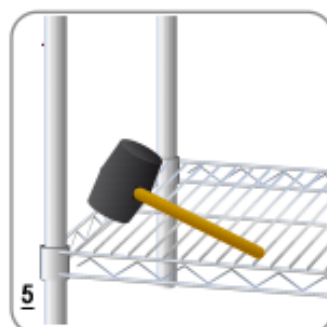
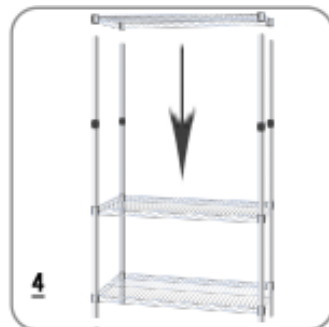
2. With the bottom shelf on its side slide the legs into the shelf.

3. Once all four poles are in place stand the unit up.

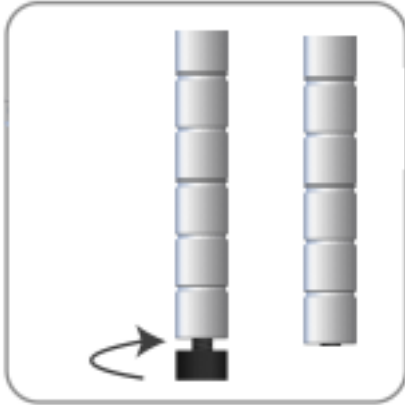
4. Add the remaining shelves.

5. Ensure the shelf are firm.

6. Adjust the self leveling feet.



Fitting The Optional Wheels



Unscrew and remove the adjustable feet



Screw in the wheels

[Watch Our Chrome Shelving Assembly Guide](#)