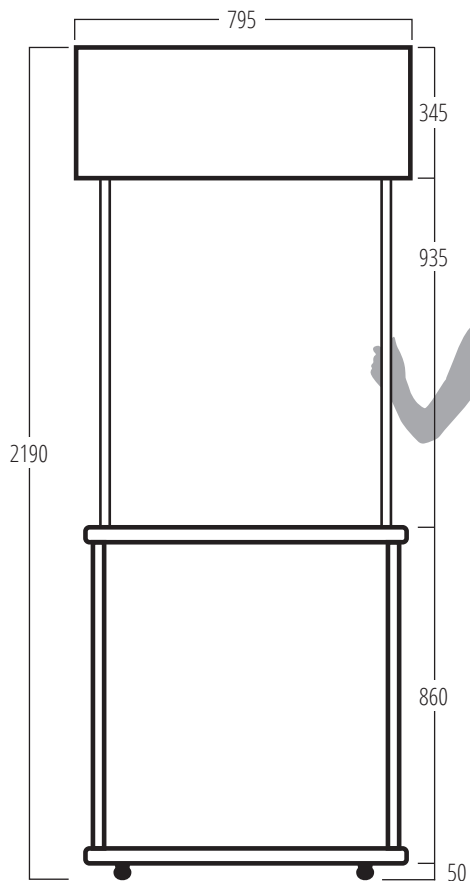


Weights in Kg

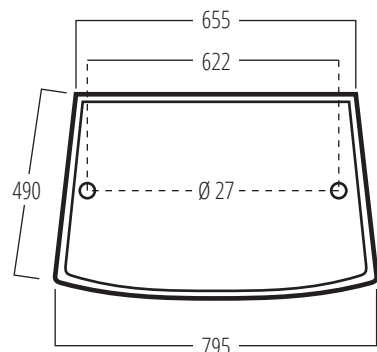
Rigid Top .....	1.52
Top .....	1.14
Shelf .....	1.12
Bottom .....	1.75
Body Panel .....	4.53
Pole Set (four pieces) P .....	1.80
Header .....	0.73
Bag .....	1.04

Packaging in Kg

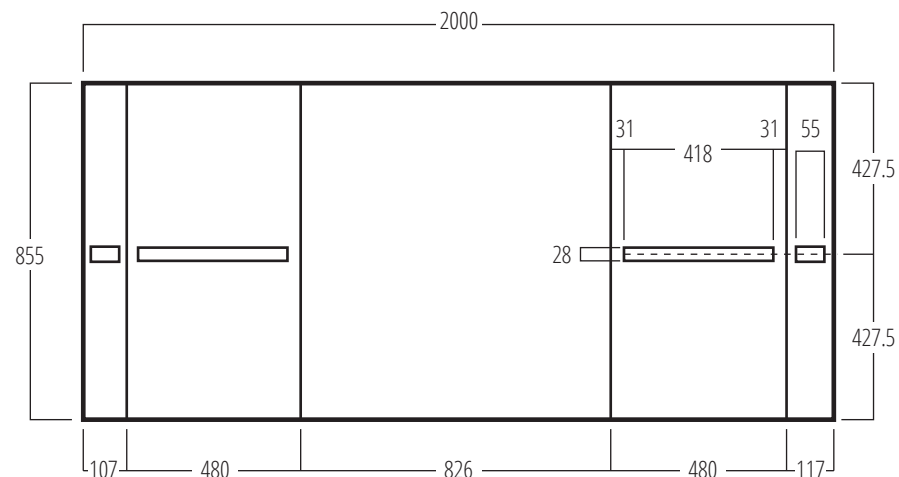
Individual reusable carton .....	1.94
External size: 925(w) x 845(d) x 117mm(h)	



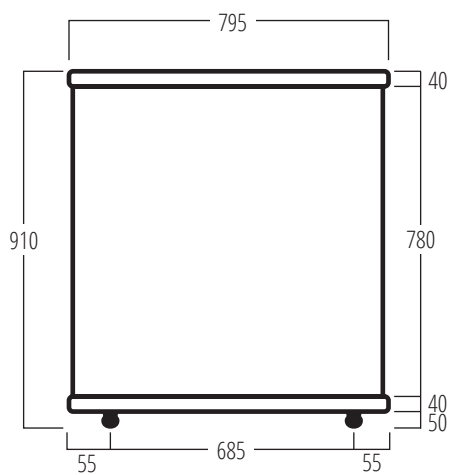
Unit and Header



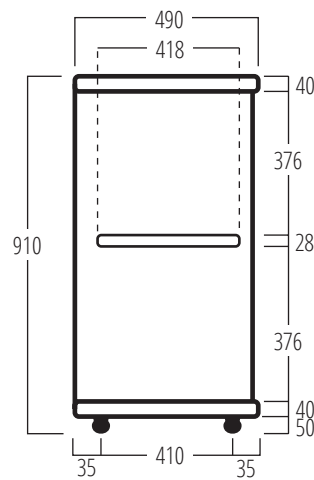
Top



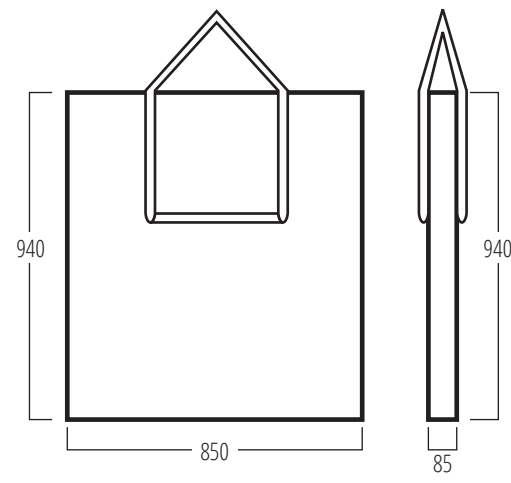
Graphic Size for Unit  
Allow 37.5mm for top and bottom



Front



Side



Carry Bag